

04 Cables and Power Supplies

4.1 Power Supplies

1 SPS Series Power Supplies

Features

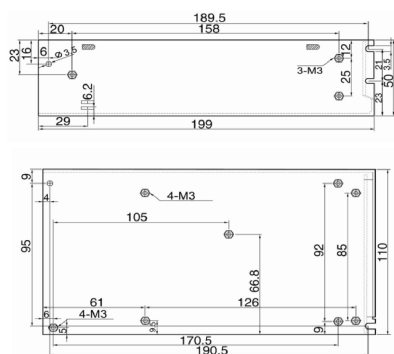
- Specially Designed Power Supplies for Stepper and Servo Controls
- Compact Size, Light in Weight
- Wide Input Voltage Range, 220VAC ± 10% or 110 VAC ± 10%
- Over-current, Over-voltage, Low-voltage Protections
- Big Power with High Efficiency
- Easy to Use



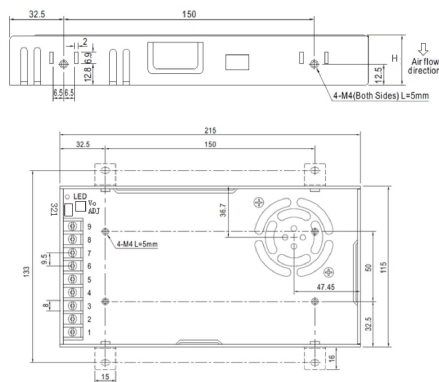
Electrical Specifications

Model	Output Voltage (VDC)	Continuous Current (A)	Peak Current (A)	Input Voltage	Matching Drives	Dimensions	Weight(Kg)
SPS2410(V3.0)	24	10	30	220VAC± 10% or 110 VAC ± 10%	CS3E-D503/ CS3E-D507/ CS3E-D728	199*110*50mm	0.8
SPS3611(V3.0)	36	11	33			215*110*30mm	0.6
SPS488(V3.0)	48	8.3	24.9			215*110*30mm	0.6
SPS4810(V3.0)	48	10	30			215*110*50mm	0.8
SPS606(V3.0)	60	6.7	20.1		CS3E-D728/ CS3E-D1008	215*110*30mm	0.6

Mechanical Specifications



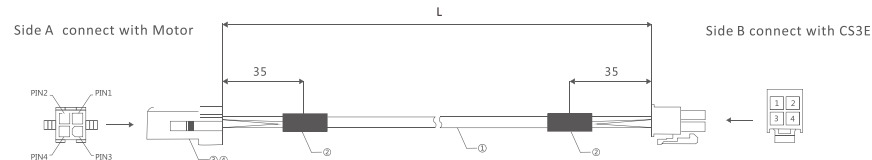
SPS2410(V3.0)



SPS3611(V3.0)/SPS488(V3.0)/SPS606(V3.0) H=30mm
SPS4810(V3.0) H=50mm

4.2 Cables

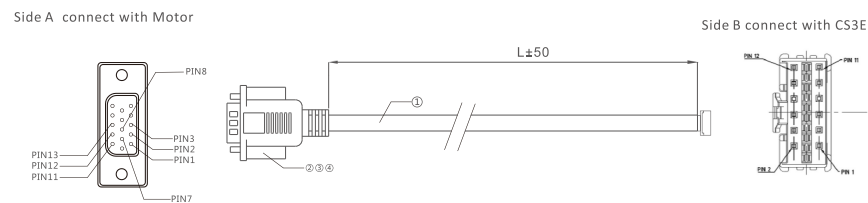
1 Motor Extension Cable



Side A PIN	1	2	3	4
Color	Green	Red	Black	Yellow
Signal	B-	A-	A+	B+
Side B PIN	Black	Red	White	Yellow

Model	Length L (mm)
CABLEM-RZ1M5	1500
CABLEM-RZ3M0	3000
CABLEM-RZ5M0	5000
CABLEM-RZ8M0	8000
CABLEM-RZ10M0	10000
CABLEM-RZ12M0	12000
CABLEM-RZ15M0	15000


2 Encoder Extension Cable



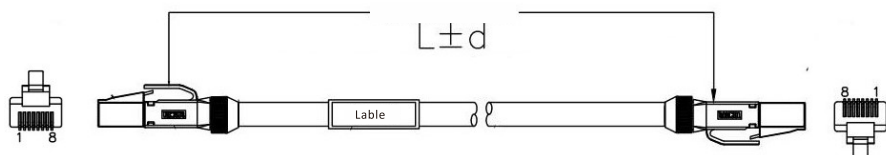
Side A PIN	1	2	3	7	8	11	12	13
Color	Black	Red	White	NC	NC	Yellow	Green	Blue
Signal	A+	VCC	GND	NC	NC	B+	B-	A-
Side B PIN	1	7	8	5	6	3	4	2

Model	Length L (mm)
CABLEM-BM1M5	1500
CABLEM-BM3M0	3000
CABLEM-BM5M0	5000
CABLEM-BM8M0	8000
CABLEM-BM10M0	10000
CABLEM-BM12M0	12000
CABLEM-BM15M0	15000

3 CS3E Tuning Cable

Model	Length	Picture
CABLE-MUSB1M5	1500mm	

4 EtherCAT Communication Cable



Model	Length (L)	Tolerance (d)
CABLE-TX0M1-BUS RoHS	100mm	±10mm
CABLE-TX0M2-BUS RoHS	200mm	±10mm
CABLE-TX0M3-BUS RoHS	300mm	±10mm
CABLE-TX0M5-BUS RoHS	400mm	±10mm
CABLE-TX1M0-BUS RoHS	1000mm	±10mm
CABLE-TX1M5-BUS RoHS	1500mm	±10mm
CABLE-TX2M0-BUS RoHS	2000mm	±10mm
CABLE-TX3M0-BUS RoHS	3000mm	±10mm
CABLE-TX5M0-BUS RoHS	5000mm	±10mm
CABLE-TX7M0-BUS RoHS	7000mm	±10mm
CABLE-TX10M0-BUS RoHS	10000mm	±10mm
CABLE-TX15M0-BUS RoHS	15000mm	±10mm
CABLE-TX20M0-BUS RoHS	20000mm	±10mm

05 Ordering Information

	CS3E-D503	CS3E-D507	CS3E-D728 / CS3E-D1008
EtherCAT Closed-loop Stepper Drives			
Closed-loop Stepper Motors	CS-M21702	CS-M22306	CS-M23435
	CS-M21704	CS-M22313	CS-M23445
	CS-M21706	CS-M22323	CS-M23480
	CS-M21708	CS-M22326	CS-M23485
		CS-M22321-L	CS-M234120
		CS-M22331-L	
		CS-M22422	
		CS-M22430	
Accessories	CABLEM-RZ series motor extension cable		
	CABLEM-BM series encoder extension cable		
	CABLE-MUSB1M5 Tuning cable		
	CABLE-TX series EtherCAT communication cable		