

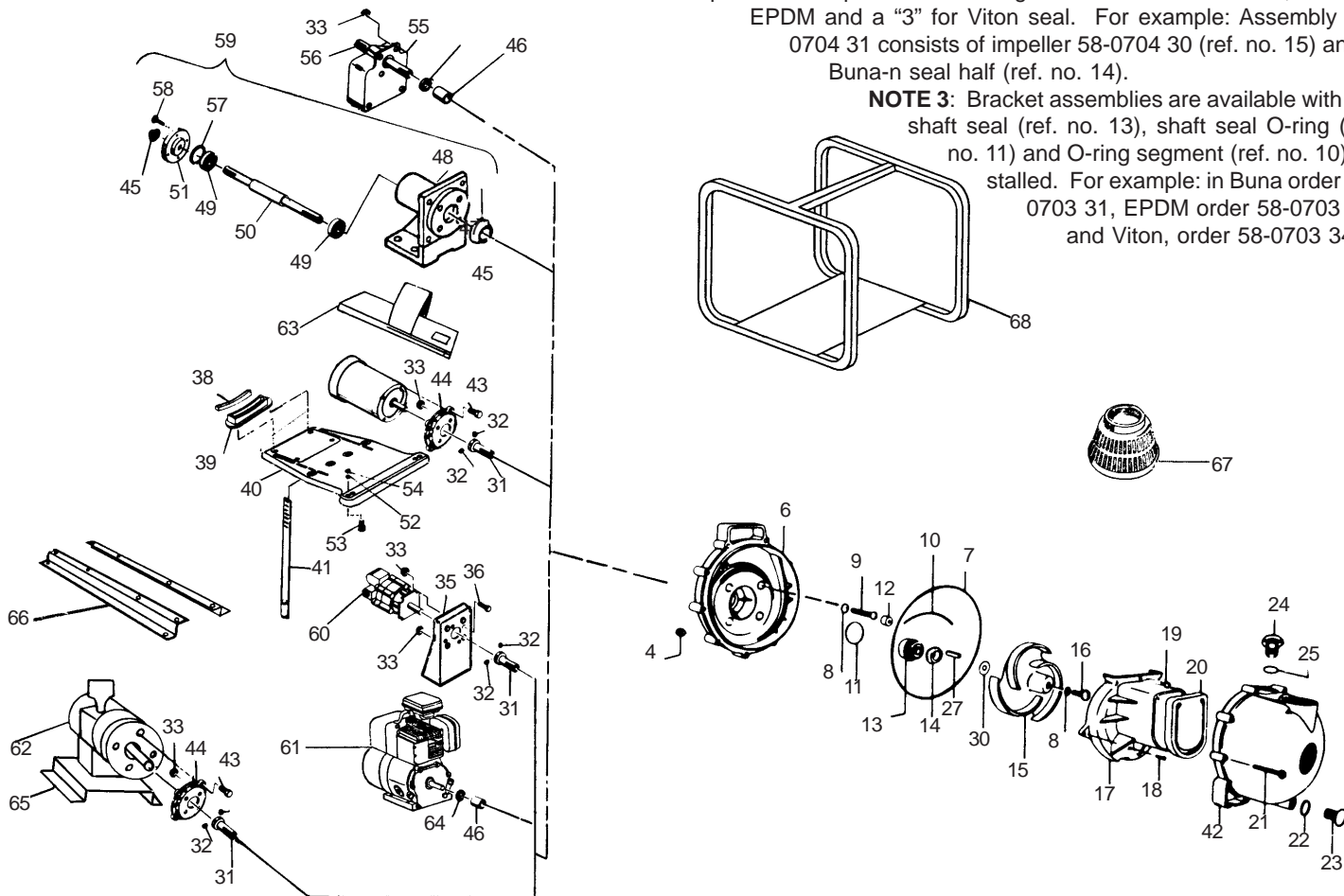
# SELF-PRIMING CENTRIFUGAL PUMP - "S" SERIES

PARTS LIST  
PP-9900  
AUG. 2003

**NOTE 1:** You will note a multiple choice of impellers, volutes, and top volute screws. Once you have identified the impeller (from the pump model no., or by comparing your impeller to the descriptions given the various impellers) you can make your choice of impeller, volute, or volute screws by following the same letter grouping. For example: if your impeller is black, open type, 5 vane, .535" wide, then it is part no. 58-0706 30 and has an "A" designation, under the column marked "Group". You now choose the proper top volute screw (ref no. 19).

**NOTE 2:** Impellers (ref. no. 15) may be ordered with the seal (ref. no. 14) installed. The part no. for these assemblies is the same as the impeller part no. except that the last digit is a "1" for Buna-N seal, a "2" for EPDM and a "3" for Viton seal. For example: Assembly 58-0704 31 consists of impeller 58-0704 30 (ref. no. 15) and a Buna-n seal half (ref. no. 14).

**NOTE 3:** Bracket assemblies are available with the shaft seal (ref. no. 13), shaft seal O-ring (ref. no. 11) and O-ring segment (ref. no. 10) installed. For example: in Buna order 58-0703 31, EPDM order 58-0703 32, and Viton, order 58-0703 34.



## PUMP PARTS LIST

| ITEM # | PART #      | PART DESCRIPTION   | QTY./PUMP | ITEM #   | PART #       | PART DESCRIPTION   | QTY./PUMP |
|--------|-------------|--|-----------|----------|--------------|--|-----------|
| 4      | 58-0721     | NUT, Body, plated steel, 1/4"-20 hex   | 10        | 11       | 58-0976 71   | O-RING, Shaft Seal, BUNA-N                                       | 1         |
|        | 58-0721 10  | NUT, Body, stainless steel, 1/4"-20 hex  | 10        |          | 58-0976 72   | O-RING, Shaft Seal, EPDM   | 1         |
| 6      | 58-0703 30B | BRACKET, Polyester, Black  | 1         |          | 58-0976 73   | O-RING, Shaft Seal, VITON  | 1         |
|        | 58-0703 40  | BRACKET, Polypropylene, grey   | 1         | 12       | 58-0750 40   | PLUG, Bracket Screw Protector, Polypropylene                     | 4         |
|        | 58-0703 60  | BRACKET, Ryton, brown  | 1         |          | 58-0750 90   | PLUG, Bracket Screw Protector, ECTFE                             | 4         |
| 7      | 58-0719 71  | O-RING, Body, BUNA-N   | 1         | 11,13,14 | 58-0714 11   | SEAL, Shaft, BUNA-N, 316 S.S.,carbon/ceramic                     | 1         |
|        | 58-0719 72  | O-RING, Body, EPDM   | 1         |          | 58-0714 12   | SEAL, Shaft, EPDM, 316 S.S.,carbon/ceramic                       | 1         |
|        | 58-0719 73  | O-RING, Body, VITON  | 1         |          | 58-0714 14   | SEAL, Shaft, VITON, 316 S.S.,carbon/ceramic                      | 1         |
| 8      | 58-0717 71  | O-RING, Screw, BUNA-N  | 5         |          | 58-0714 15   | SEAL, Shaft, Hastelloy C, Teflon, silicon carbide                | 1         |
|        | 58-0717 72  | O-RING, Screw, EPDM  | 5         |          | 58-0714 92SG | SEAL, Shaft, Non-Metallic, ECTFE, EPDM                           | 1         |
|        | 58-0717 73  | O-RING, Screw, VITON   | 5         |          |              | siliconized graphite   | 1         |
| 9      | 58-0715 10  | SCREW, Bracket, stainless steel for pumps close-coupled to engine and cast ped. mount, 5/16"-24 x 1.25"  | 4         |          | 58-0714 94SG | SEAL, Shaft, Non-Metallic, ECTFE, VITON                          | 1         |
|        | 58-0728 10  | SCREW, Bracket, stainless steel for pumps pedestal mounted (plastic), close-coupled to electric, hydraulic or pneumatic motor, 5/16"-18 x 1.5" | 4         |          |              | siliconized graphite   | 1         |
| 10     | 58-0754 71  | O-RING, Segment, BUNA-N  | 1         |          | 58-0891 92SG | SEAL, Shaft, Kynar, Polypro, Hastelloy C, EPDM, silicon carbide  | 1         |
|        | 58-0754 72  | O-RING, Segment, EPDM  | 1         |          | 58-0891 94SG | SEAL, Shaft, Kynar, Polypro, Hastelloy C, VITON, silicon carbide | 1         |
|        | 58-0754 73  | O-RING, Segment, VITON   | 1         |          |              |  | 1         |
|        |             |  |           |          | 58-46250 11  | SEAL, Shaft, BUNA-N, 316 SS, silicon carbide                     | 1         |
|        |             |  |           |          | 58-46250 12  | SEAL, Shaft, EPDM, 316 SS, silicon carbide                       | 1         |
|        |             |  |           |          | 58-46250 13  | SEAL, Shaft, VITON, 316 SS, silicon carbide                      | 1         |

**"S" SERIES PUMP PARTS LIST**

PP-9900F

| ITEM # | PART #      | GROUP | PART DESCRIPTION   | QTY./PUMP | ITEM # | PART #      | PART DESCRIPTION   | QTY./PUMP |
|--------|-------------|-------|--|-----------|--------|-------------|--|-----------|
| 15     | 58-0704 30  | A     | IMPELLER, 3 Vane, .535" wide 5.5" dia., Polyester, black                                   | 1         | 32     | 58-0883     | SET SCREW, 1/4"-20 x .25" long, steel  | 2         |
|        | 58-0704 40  | A     | IMPELLER, 3 Vane, .535" wide 5.5" dia., Polypropylene, grey                                | 1         | 33     | 58-0745     | KEPNUT, 5/16"-18, plated steel   | 4         |
|        | 58-0704 60  | A     | IMPELLER, 3 Vane, .535" wide 5.5" dia., Ryton, brown                                       | 1         | 35     | 58-1011 20  | PEDESTAL, hydraulic motor, molded plastic  | 1         |
|        | 58-0706 30  | A     | IMPELLER, 5 Vane, .535" wide 5.5" dia., Polyester, black                                   | 1         | 36     | 58-0729 H   | SCREW, for mounting hydraulic motor to pedestal, 5/16"-18 x 1.0" long, plated steel              | 4         |
|        | 58-0706 40  | A     | IMPELLER, 5 Vane, .535" wide 5.5" dia., Polypropylene, grey                                | 1         | 38     | 58-1826 71  | PAD, Rubber, Saddle  | 1         |
|        | 58-0706 60  | A     | IMPELLER, 5 Vane, .535" wide 5.5" dia., Ryton, brown                                       | 1         | 39     | 58-1828 90  | SADDLE, Electric motor, 6-5/8" dia. motor  | 1         |
|        | 58-0974 30  | B     | IMPELLER, 4 Vane, .600" wide 4.75" dia., Polyester, black                                  | 1         | 40     | 58-1825 90  | SADDLE, 5-11/16" diameter motor  | 1         |
|        | 58-0974 40  | B     | IMPELLER, 4 Vane, .600" wide 4.75" dia., Polypropylene, grey                               | 1         | 41     | 58-1823 40  | BASEPLATE, for close-coupled electric motors, molded plastic                                     | 1         |
|        | 58-0974 60  | B     | IMPELLER, 4 Vane, .600" wide 4.75" dia., Ryton, brown                                      | 1         | 42     | 58-0934 10  | STRAP, for close-coupled electric motors, SS   | 1         |
|        | 58-0975 30  | C     | IMPELLER, 4 Vane, .975" wide, 4.75" dia., Polyester, black                                 | 1         | 43     | 58-1001 30B | BODY, 1-1/2" NPT, Polyester, black   | 1         |
|        | 58-0975 40  | C     | IMPELLER, 4 Vane, .975" wide, 4.75" dia., Polypropylene, grey                              | 1         | 44     | 58-1001 40  | BODY, 1-1/2" NPT, Polypropylene, grey  | 1         |
|        | 58-0975 60  | C     | IMPELLER, 4 Vane, .975" wide, 4.75" dia., Ryton, brown                                     | 1         | 45     | 58-1001 60  | BODY, 1-1/2" NPT, Ryton, brown   | 1         |
|        | 58-0667 30  | B     | IMPELLER, 3 Vane, .535" wide, 4.75" dia., Polyester, black                                 | 1         | 46     | 58-1002 30B | BODY, 2" NPT, Polyester, black   | 1         |
|        | 58-0667 40  | B     | IMPELLER, 3 Vane, .535" wide, 4.75" dia., Polypropylene, grey                              | 1         | 47     | 58-1002 40  | BODY, 2" NPT, Polypropylene, grey  | 1         |
|        | 58-8706 30  |       | IMPELLER, 5 Vane, .535" w. 5.5" d, black Polyester (8hp pumps only, 7/2003)                | 1         | 48     | 58-1002 60  | BODY, 2" NPT, Ryton, brown   | 1         |
|        | 58-8975 30  |       | IMPELLER, 4 vane, .975" w x 4.75" d, black Polyester, (8hp pumps only, 7/2003)             | 1         | 49     | 58-0755 30B | BODY, 3" NPT, Polyester, black   | 1         |
| 16     | 58-0716 10  |       | SCREW, Impeller, S.S., 5/16"-24x.75"   | 1         | 50     | 58-0755 40  | BODY, 3" NPT, Polypropylene, grey  | 1         |
|        | 58-1668 10  |       | SCREW, Impeller, S.S., 3/8-24x1" (8hp only)  | 1         | 51     | 58-0755 60  | BODY, 3" NPT, Ryton, brown   | 1         |
| 17     | 58-0702 30  | A     | VOLUTE, Flat, Polyester  | 1         | 52     | 58-0943 30B | BODY, 1-1/2" BSP, Polyester, black   | 1         |
|        | 58-0702 60  | A     | VOLUTE, Flat, Ryton, brown   | 1         | 53     | 58-0784 30B | BODY, 2" BSP, Polyester, black   | 1         |
|        | 58-0773 31  | A     | VOLUTE, Buna-N lined Polyester   | 1         | 54     | 58-0877 30B | BODY, 3" BSP, Polyester, black   | 1         |
|        | 58-0773 32  | A     | VOLUTE, EPDM lined Polyester   | 1         | 43     | 58-1015 10  | SCREW, hex head cap, 3/8"-16x1.25" long, S.S   | 4         |
|        | 58-0954 30  | B     | VOLUTE, Flat, Polyester  | 1         | 44     | 58-1010 20  | ADAPTER, Motor, for pump close-coupled to electric or pneumatic motor, molded plastic            | 1         |
|        | 58-0954 60  | B     | VOLUTE, Flat, Ryton, brown   | 1         | 45     | 58-1955 71  | SEAL, lip, .710" ID, Buna-N  | 2         |
|        | 58-0955 31  | B     | VOLUTE, Buna-N lined Polyester   | 1         | 46     | 58-1955 73  | SEL, lip, .710" ID, VITON  | 2         |
|        | 58-0955 32  | B     | VOLUTE, EPDM lined Polyester   | 1         | 47     | 58-0882 90  | SHAFT, Sleeve, Polyethylene  | 1         |
|        | 58-0977 30  | C     | VOLUTE, Flat, Polyester  | 1         | 48     | 58-0884 71  | SLINGER, Buna-N  | 1         |
|        | 58-0977 60  | C     | VOLUTE, Flat, Ryton, brown   | 1         | 49     | 58-1951 90  | HOUSING, Bearing, cast metal   | 1         |
|        | 58-0978 31  | C     | VOLUTE, Buna-N lined Polyester   | 1         | 50     | 58-1954 90  | BEARING, Ball, .787" ID  | 2         |
|        | 58-0978 32  | C     | VOLUTE, EPDM lined Polyester   | 1         | 51     | 58-1952 10  | SHAFT, stainless steel, .75" diameter  | 1         |
| 18     | 58-0725 10  |       | SCREW, side volute, S.S., #6-cc x.5" long  | 2         | 52     | 58-1952 91  | SHAFT, Hastelloy, .75" diameter  | 1         |
| 19     | 58-0771 10  | A     | SCREW, top volute, S.S., #10-24x1.5"   | 1         | 53     | 58-1952 93  | SHAFT, Titanium, .75" diameter   | 1         |
|        | 58-0997 10  | B,C   | SCREW, top volute, S.S., #10-24 x .5"  | 1         | 54     | 58-1953 10  | PLATE, End, stainless steel  | 1         |
| 20     | 58-0705 71  |       | CHECK VALVE, Buna-N  | 1         | 55     | 58-0730     | FLAT WASHER, .563", plated steel   | 2         |
|        | 58-0705 72  |       | CHECK VALVE, EPDM  | 1         | 56     | 58-0729     | SCREW, 5/16"-18 x 1", plated steel   | 2         |
|        | 58-0705 73  |       | CHECK VALVE, VITON   | 1         | 57     | 58-0745     | KEPNUT, 5/16"-18, plated steel   | 2         |
| 21     | 58-0720     |       | SCREW, Body, plated steel 1/4"-20 x 2-3/8"   | 10        | 58     | 58-0759 20  | BEARING Pedestal, molded plastic   | 1         |
|        | 58-0720 10  |       | SCREW, Body, SS, 1/4"-20 x 2-3/8" long   | 10        | 59     | 58-0777     | BEARING, Shaft Assy., standard, carbon steel   | 1         |
| 22     | 58-1009 71  |       | O-RING, Drain Plug, Buna-N   | 1         | 60     | 58-0777 10  | BEARING, Shaft Assy., with S.S. shaft sleeve   | 1         |
|        | 58-1009 72  |       | O-RING, Drain Plug, EPDM   | 1         | 55,56  | 58-2053 01  | ASSEMBLY, Pedestal, .34" carbon steel shaft  | 1         |
|        | 58-1009 73  |       | O-RING, Drain Plug, VITON  | 1         | 57     | 58-2053 02  | ASSEMBLY, Pedestal, with S.S. shaft sleeve   | 1         |
| 23     | 58-0723 30  |       | PLUG, Drain, Polyester, black  | 1         | 58     | 58-1956 10  | SHIM, Bearing Shaft, cast metal pedestal, .006" thick as required                                | 4         |
|        | 58-0723 40  |       | PLUG, Drain, Polypropylene, grey   | 1         | 60     | 58-2525 10  | SCREW, hex, 1/4"-20 x 3/4" stainless steel   | 4         |
|        | 58-0723 60  |       | PLUG, Drain, Ryton, brown  | 1         | 61     | 58-1950 01  | BEARING & PEDESTAL ASSY., with 3/4" S.S. shaft (includes items 45, 48, 49, 50, 51, 57 & 58)      | 1         |
| 24     | 58-0722 30B |       | PLUG, Filler, Polyester, black   | 1         |        | 58-1950 01H | BEARING & PEDESTAL ASSY., with 3/4" Hastelloy shaft (includes items 45, 48, 49, 50, 51, 57 & 58) | 1         |
|        | 58-0722 40  |       | PLUG, Filler, Polypropylene, grey  | 1         |        | 58-1950 01T | BEARING & PEDESTAL ASSY., with 3/4" Titanium shaft (includes items 45, 48, 49, 50, 51, 57 & 58)  | 1         |
|        | 58-0722 60  |       | PLUG, Filler, Ryton, brown   | 1         | 62     | 58-0686     | MOTOR, Hydraulic   | 1         |
| 25     | 58-0765 71  |       | O-RING, Filler plug, Buna-N  | 1         | 63     | 58-0634     | ENGINE, B&S, 3.5HP, recoil start   | 1         |
|        | 58-0765 72  |       | O-RING, Filler plug, EPDM  | 1         |        | 58-0633 AP  | ENGINE, B&S, 3.5HP, Industrial Plus, recoil start  | 1         |
|        | 58-0765 73  |       | O-RING, Filler plug, VITON   | 1         | 64     | 58-0644     | ENGINE, B&S 5.5HP INTEK OHV, recoil start  | 1         |
| 27     | 58-0718     |       | KEY, steel   | 1         |        | 58-0644 A   | ENGINE, B&S, 5.5HP INTEK OHV Pro, recoil start   | 1         |
|        | 58-0718 10  |       | KEY, stainless steel   | 1         |        | 58-0635 H   | ENGINE, Honda, 5.5HP, OHV, recoil start  | 1         |
|        | 58-0718 30  |       | KEY, Polyester   | 1         |        | 58-0967     | ENGINE, B & S, 8HP INTEK Pro, recoil start   | 1         |
| 30     | 58-0778 11  |       | SHIM, .006", stainless steel as required   | 66        | 62     | 58-0926     | MOTOR, pneumatic   | 1         |
|        | 58-0778 12  |       | SHIM, .015", stainless steel as required   | 67        | 63     | 58-0028     | BASEPLATE KIT, standard duty, call factory for details   | 1         |
|        | 58-0778 13  |       | SHIM, .030", stainless steel as required   |           |        | 58-0016     | BASEPLATE KIT, heavy duty, call factory for details  | 1         |
|        | 58-46338 10 |       | SHIM, .015", S.S. (8hp only) as required   |           | 64     | 58-0881 72  | GASKET, Engine Protection, EPDM, 5HP only  | 1         |
| 31     | 58-1014 10  |       | ADAPTER, shaft, for close-coupled electric or pneumatic motor, stainless steel, .625" bore | 1         |        | 58-0933 72  | GASKET, Engine Protection, EPDM, 3.5HP only  | 1         |
|        | 58-1165 10  |       | ADAPTER, S.S., for hydraulic motor, .563" bore   | 1         |        | 58-0935 72  | GASKET, Engine Protection, EPDM, INTEK only  | 1         |
|        |             |       |  | 1         | 65     | 58-0929     | BASE PLATE, for pumps coupled to pneumatic motor   | 1         |
|        |             |       |  |           | 66     | 58-0002     | BASE RUNNER KIT, two steel rails with fasteners  | 1         |
|        |             |       |  |           | 67     | 58-0734     | SUCTION STRAINER, 1-1/2"NPT, molded plastic  | 1         |
|        |             |       |  |           |        | 58-0733     | SUCTION STRAINER, 2" NPT, molded plastic   | 1         |
|        |             |       |  |           |        | 58-0757     | SUCTION STRAINER, 3" NPT, molded plastic   | 1         |
|        |             |       |  |           |        | 58-1339 01  | SUCTION STRAINER, 3" BSP, molded plastic   | 1         |
|        |             |       |  |           | 68     | 58-0009     | ROLL CAGE, w/rubber feet, mounting hardware  | 1         |

NOTE: All specifications, as shown, are subject to change without previous notice.

F.O.B. Lancaster, PA

Minimum Order: \$25.00

Terms: Net 30 Days

Distributed By:

**servicing  
industry  
worldwide**

**PACER® PUMPS**  
Div. ASM Industries, Inc.

41 Industrial Circle  
Lancaster, PA 17601-5927  
Email: sales@pacerpumps.com

717-656-2161  
800-233-3861  
FAX: 717-656-0477

(Printed in U.S.A.)