

# Coils, Series CO1



## Coils, Series CO1

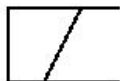
The AVENTICS Series CO1 is a complete range of electrical solenoid coils with or without cable used in AVENTICS pneumatic valves Series.

- Coil widths 15, 22 and 30 mm
- Electrical connection ISO form C, M8 3-pin; M8 4-pin
- ATEX
- Operational voltages 12, 24, 48, 110, 220 VDC or 24,110,230 VAC



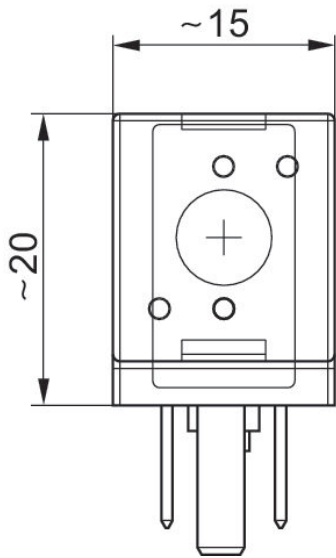
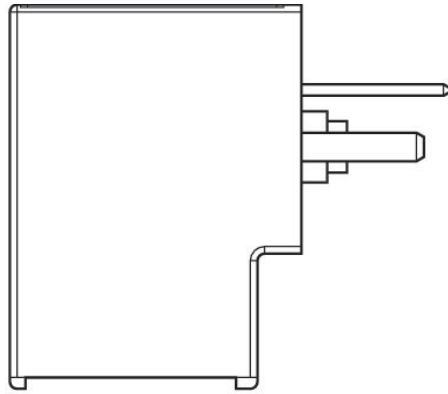
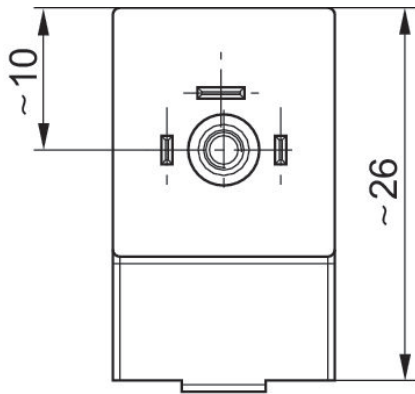
**Coil, Series CO1**

Plug  
3-pin



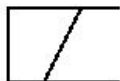
Operational voltage	Operational voltage AC at 50 Hz	Operational voltage AC at 60 Hz	Voltage tolerance DC	Voltage tolerance AC 50 Hz	Voltage tolerance AC 60 Hz	Power consumption DC [W]	Holding power AC 50 Hz [VA]	Switch-on power AC 50 Hz [VA]	Part No.
	110 V	110 V		-10% / +10%	-10% / +10%		1.6	2.2	R422101598
	230 V	230 V		-10% / +10%	-10% / +10%		1.6	2.2	R422101599
24 V			-10% / +10%			2			R422101600
	24 V	24 V		-10% / +10%	-10% / +10%		1.6	2.2	R422101601
12 V			-10% / +10%			2			R422101602

Dimensions



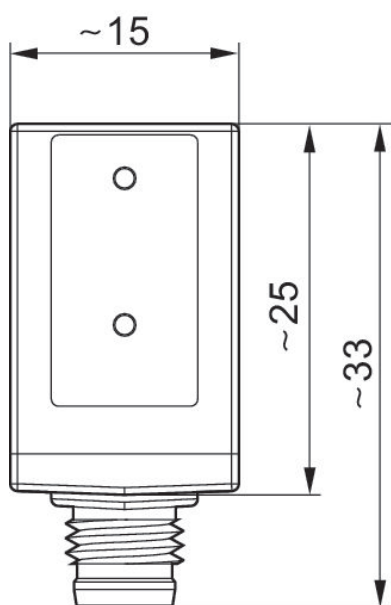
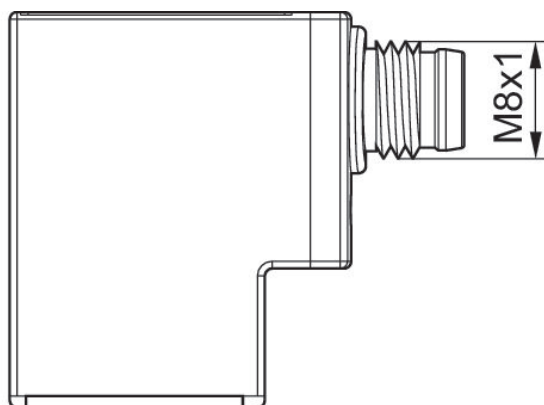
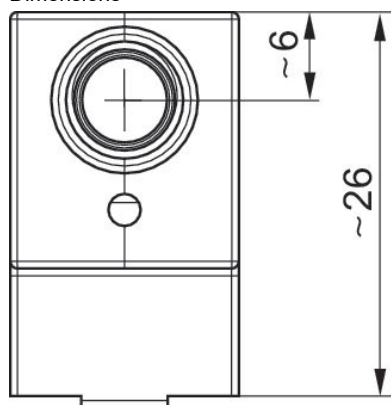
Coil, Series CO1

Plug  
M8x1



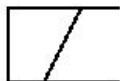
Operational voltage	Voltage tolerance DC	Power consumption DC [W]	Part No.
24 V	-10% / +10%	2.2	R422101603
24 V	-10% / +10%	2.2	R422101604

Dimensions



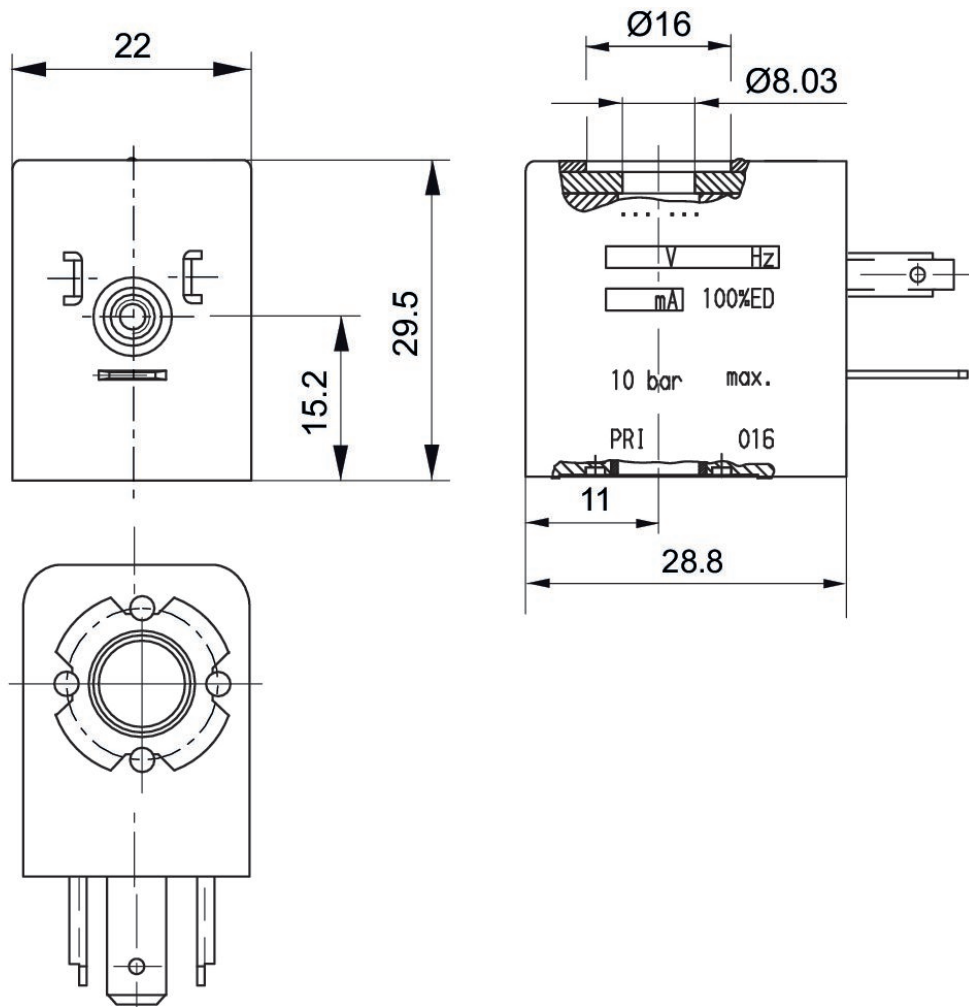
Coil, Series CO1

Plug



Operational voltage	Operational voltage AC at 50 Hz	Operational voltage AC at 60 Hz	Voltage tolerance DC	Voltage tolerance AC 50 Hz	Voltage tolerance AC 60 Hz	Power consumption DC [W]	Holding power AC 50 Hz [VA]	Switch-on power AC 50 Hz [VA]	Compatibility index	Part No.
24 V			-10% / +10%	-10% / +10%	-10% / +10%	2.6			13	1824210245
12 V	24 V	24 V	-10% / +10%	-10% / +10%	-10% / +10%	5.5	8.9	12	14	1824210239
24 V	48 V	48 V	-10% / +10%	-10% / +10%	-10% / +10%	4.8	7.7	10.5	14	1824210243
48 V			-10% / +10%	-10% / +10%	-10% / +10%	5			14	1824210241
60 V	110 V	110 V	-10% / +10%	-10% / +10%	-10% / +10%	5.9	8.4	11	14	1824210237
110 V	220 V	230 V	-10% / +10%	-10% / +10%	-10% / +10%	4.9	9.7	12.6	14	1824210235

Dimensions



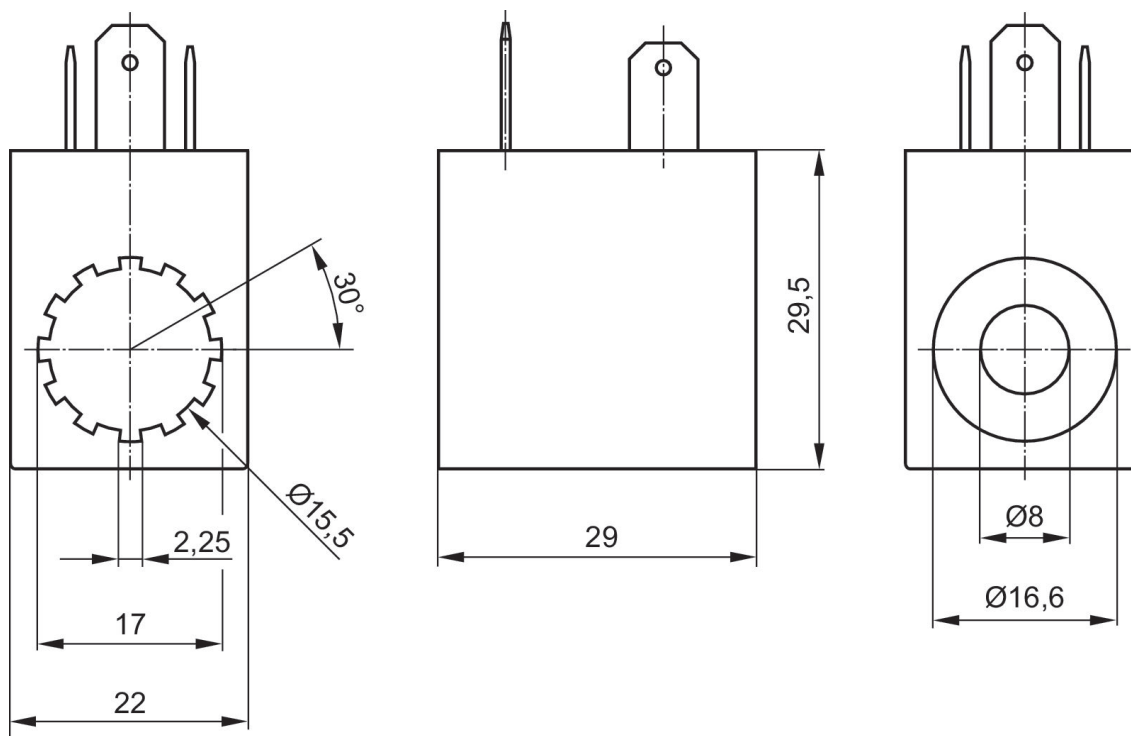
**Coil, Series CO1**

Plug  
Form B, industry



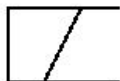
Operational voltage	Operational voltage AC at 50 Hz	Voltage tolerance DC	Voltage tolerance AC 50 Hz	Power consumption DC [W]	Holding power AC 50 Hz [VA]	Switch-on power AC 50 Hz [VA]	Part No.
12 V				5			0498317405
24 V		-10% / +10%		5			0498317502
24 V		-10% / +10%		2			0498318800
48 V				5			0498317618
110 V		-10% / +10%		5			0498317707
220 V		-10% / +10%		5			0498317804
	24 V		-10% / +10%		8	10	0498316905
	48 V		-10% / +10%		8	10	0498317006
	110 V		-10% / +10%		8	10	0498317103
	230 V		-10% / +10%		8	10	0498322506

Dimensions



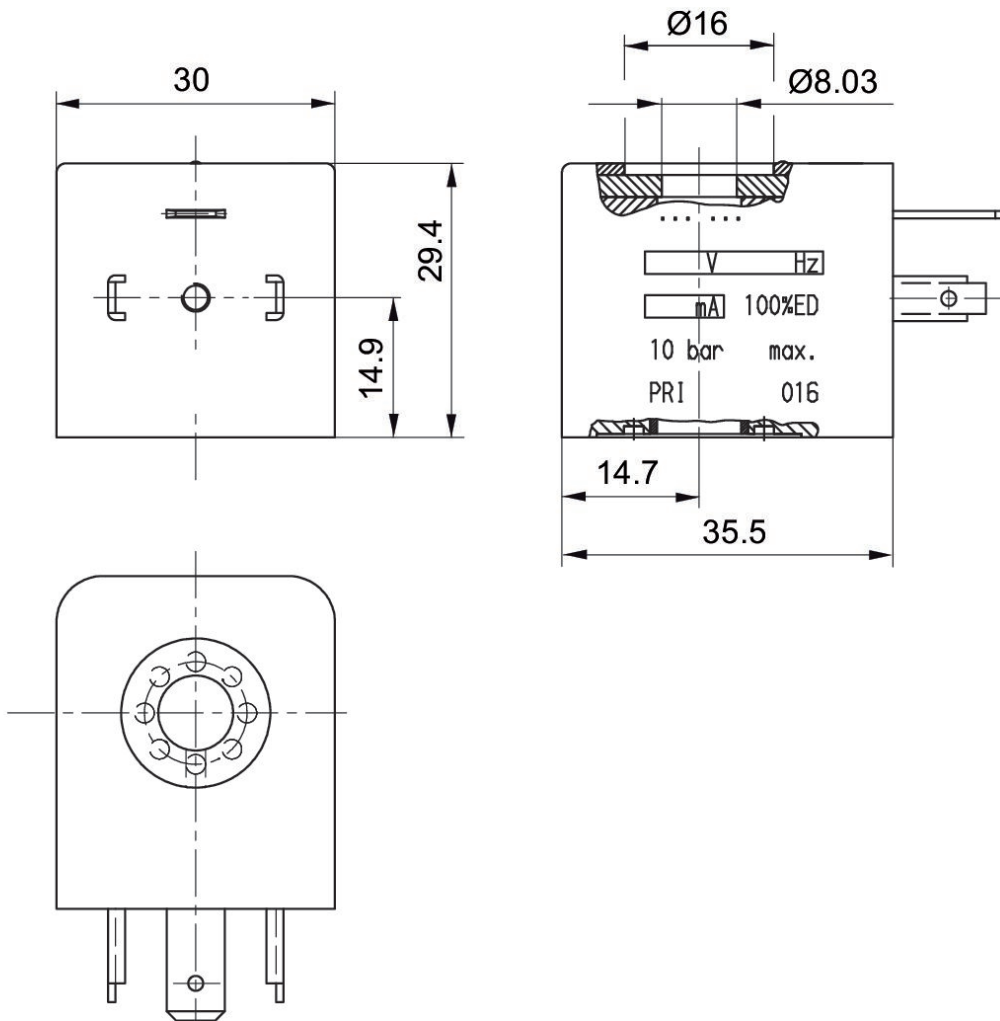
Coil, Series CO1

Plug



Operational voltage	Operational voltage AC at 50 Hz	Operational voltage AC at 60 Hz	Voltage tolerance DC	Voltage tolerance AC 50 Hz	Voltage tolerance AC 60 Hz	Power consumption DC [W]	Holding power AC 50 Hz [VA]	Switch-on power AC 50 Hz [VA]	Compatibility index	Part No.
12 V			-10% / +10%			2.1			13	5420507012
24 V			-10% / +10%			2.1			13	5420507022
	24 V	24 V		-20% / +10%	-10% / +20%		4.2	6.9	13	5428457022
48 V			-10% / +10%			2.2			13	5420507032
	110 V	110 V		-20% / +10%	-10% / +20%		4.2	6.9	13	5428457072
	240 V	240 V		-20% / +10%	-10% / +20%		4.2	6.9	13	5428457112
24 V			-10% / +10%			2.7			14	5420897022
	24 V	24 V		-20% / +10%	-10% / +20%		5.2		14	5428117022
	110 V	110 V		-20% / +10%	-10% / +20%		4.8		14	5428117072
	230 V	230 V		-20% / +10%	-10% / +20%		5.6		14	5428117082
12 V	24 V	24 V	-10% / +10%	-10% / +10%	-10% / +10%	6.2	7.4	11.5	15	1824210222
24 V			-10% / +10%	-10% / +10%	-10% / +10%	4.4			15	1824210223
	110 V	110 V		-10% / +10%	-10% / +10%		8	11.5	15	1824210221
110 V	220 V	230 V	-10% / +10%	-10% / +10%	-10% / +10%	6	8	11.5	15	1824210220

Dimensions



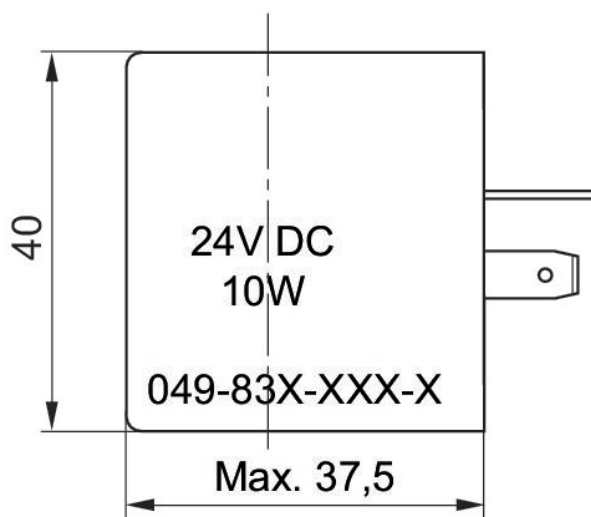
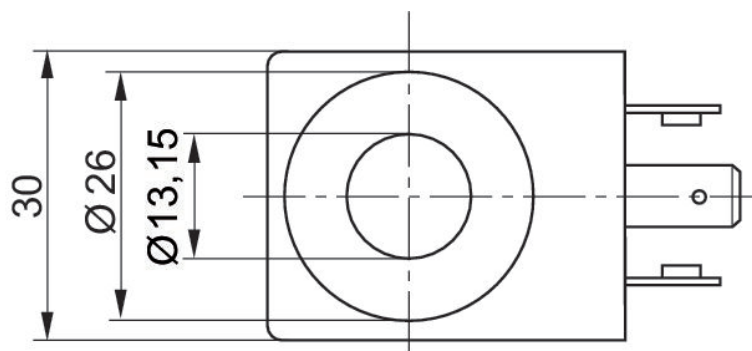
Coil, Series CO1

Plug



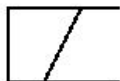
Operational voltage	Operational voltage AC at 50 Hz	Operational voltage AC at 60 Hz	Voltage tolerance DC	Voltage tolerance AC 50 Hz	Voltage tolerance AC 60 Hz	Power consumption DC [W]	Holding power AC 50 Hz [VA]	Switch-on power AC 50 Hz [VA]	Compatibility index	Part No.
12 V			-10% / +10%			10			33	0498320503
24 V			-10% / +10%			10			33	0498319718
110 V			-10% / +10%			10			33	0498320309
220 V			-10% / +10%			10			33	0498320201
	24 V	24 V		-10% / +10%	-10% / +10%		17	30	33	0498319807
	110 V	110 V		-10% / +10%	-10% / +10%		17	30	33	0498319904
	230 V	230 V		-10% / +10%	-10% / +10%		17	30	33	0498322409

Dimensions



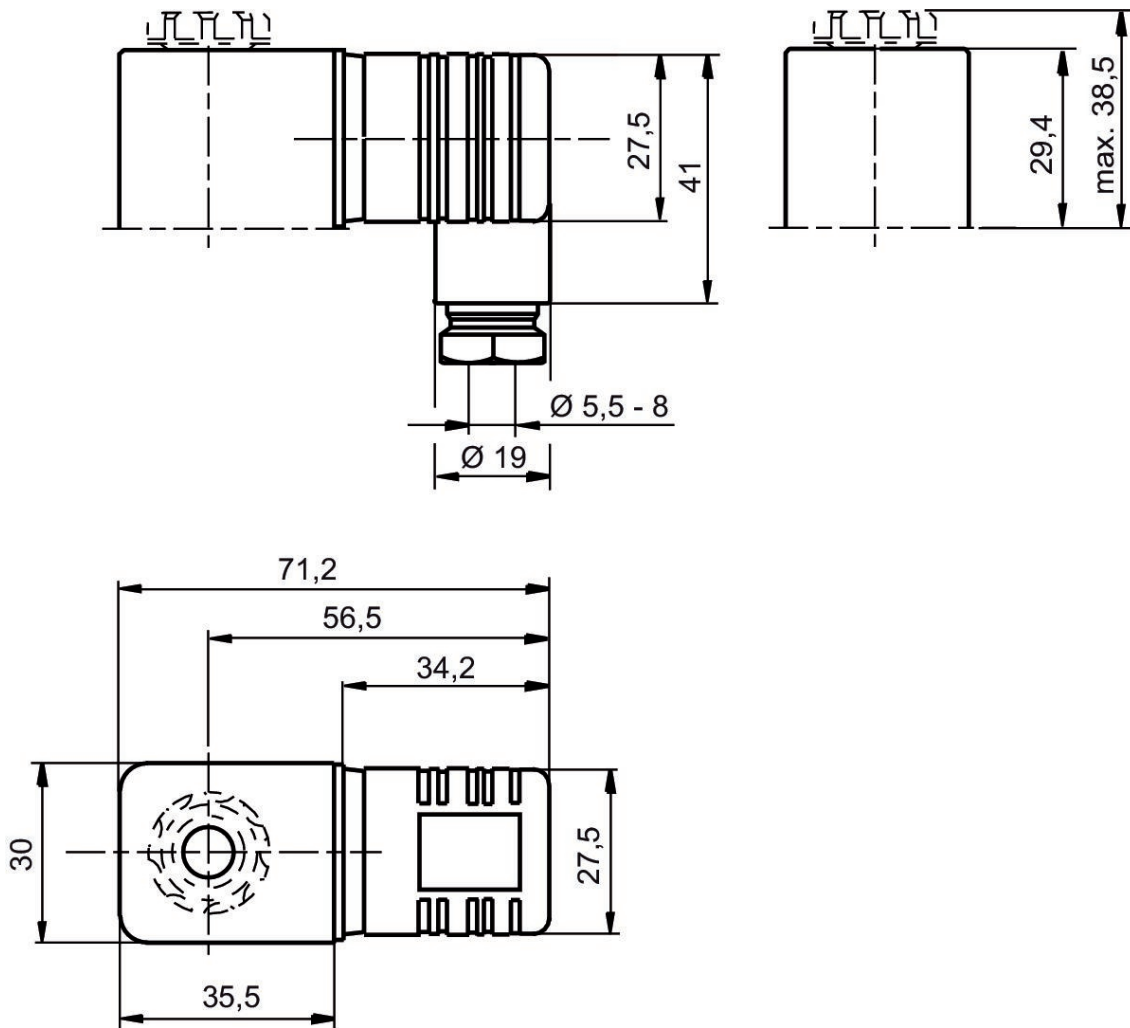
Coil, Series CO1

ATEX



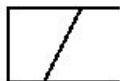
Operational voltage	Operational voltage AC at 50 Hz	Operational voltage AC at 60 Hz	Voltage tolerance DC	Voltage tolerance AC 50 Hz	Voltage tolerance AC 60 Hz	Power consumption DC [W]	Holding power AC 50 Hz [VA]	Switch-on power AC 50 Hz [VA]	Compatibility index	Part No.
24 V			-10% / +10%			2.1			13	R412000144
	24 V	24 V		-20% / +10%	-10% / +20%		4	4	13	R412000145
	110 V	110 V		-20% / +10%	-10% / +20%		4	4	13	R412000146
	230 V	230 V		-20% / +10%	-10% / +20%		4.1	4.1	13	R412000147

Dimensions



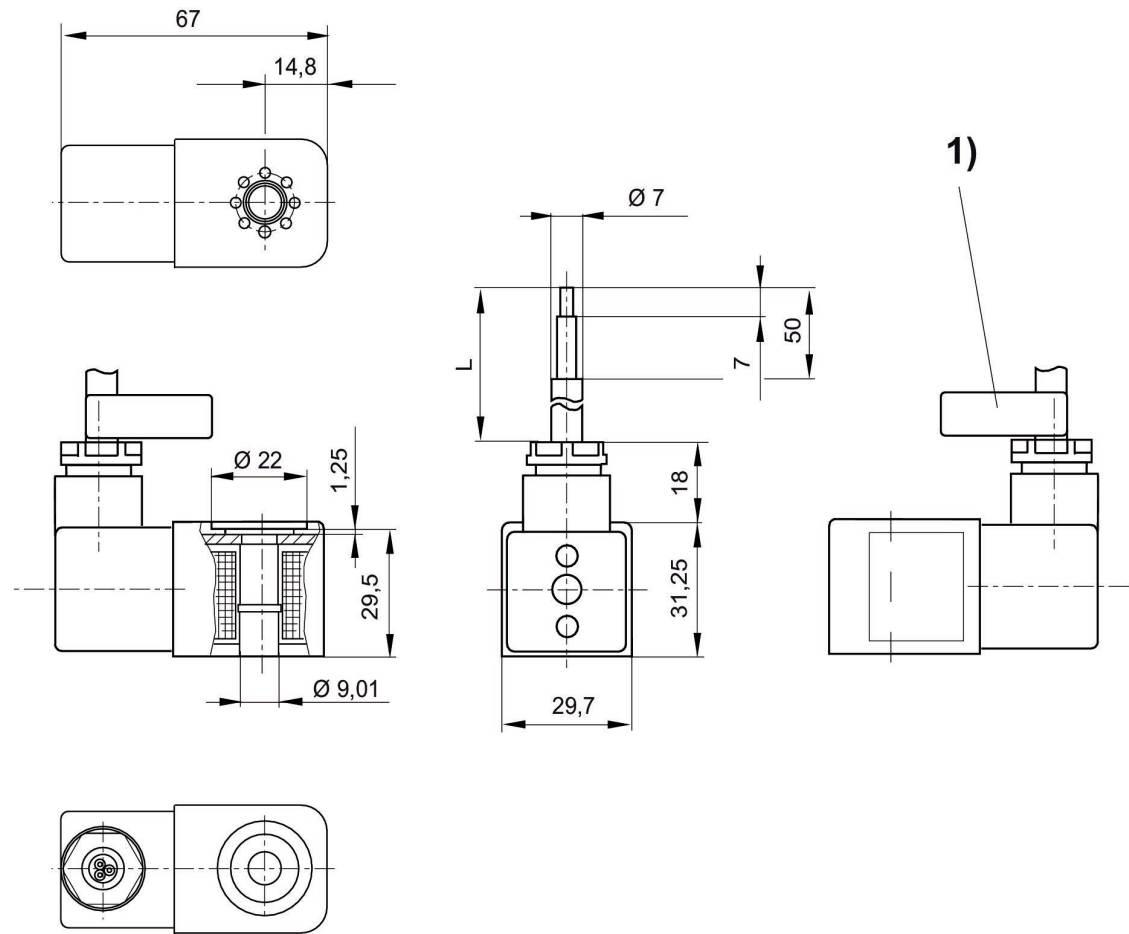
Coil, Series CO1

ATEX



Operational voltage	Operational voltage AC at 50 Hz	Operational voltage AC at 60 Hz	Voltage tolerance DC	Voltage tolerance AC 50 Hz	Power consumption DC [W]	Holding power AC 50 Hz [VA]	Switch-on power AC 50 Hz [VA]	Cable length [m]	Compatibility index	Part No.
	230 V	230 V		-10% / +10%		3	3.1	3	14	1827414297
	230 V	230 V		-10% / +10%		3	3.1	10	14	1827414298
	110 V	110 V		-10% / +10%		2.9	3	3	14	1827414299
	24 V	24 V		-10% / +10%		2.9	3	3	14	1827414301
24 V			-10% / +10%		3.25			3	14	1827414303
24 V			-10% / +10%		3.25			10	14	1827414304

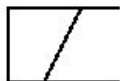
Dimensions



L = cable length  
1) Cable ID band with serial number

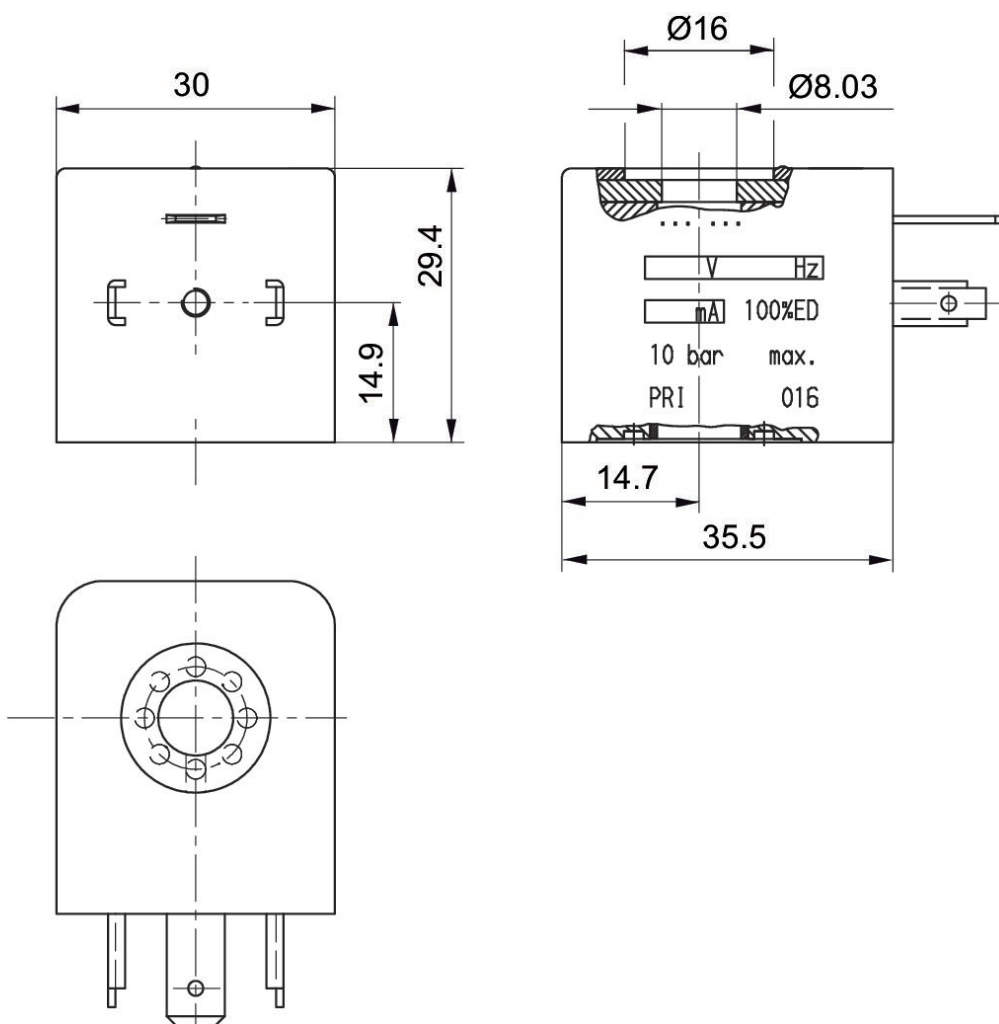
Coil, Series CO1

Plug



Operational voltage	Operational voltage AC at 50 Hz	Operational voltage AC at 60 Hz	Voltage tolerance DC	Power consumption DC [W]	Holding power AC 50 Hz [VA]	Compatibility index	Part No.
	110 V	110 V	-10% / +10%		3.7	14	R432011985
	220 V	220 V	-10% / +10%		3.7	14	R432011986
24 V			-10% / +10%	2.7		14	R432011989
	24 V	24 V	-10% / +10%		3.7	14	R432011990

Dimensions





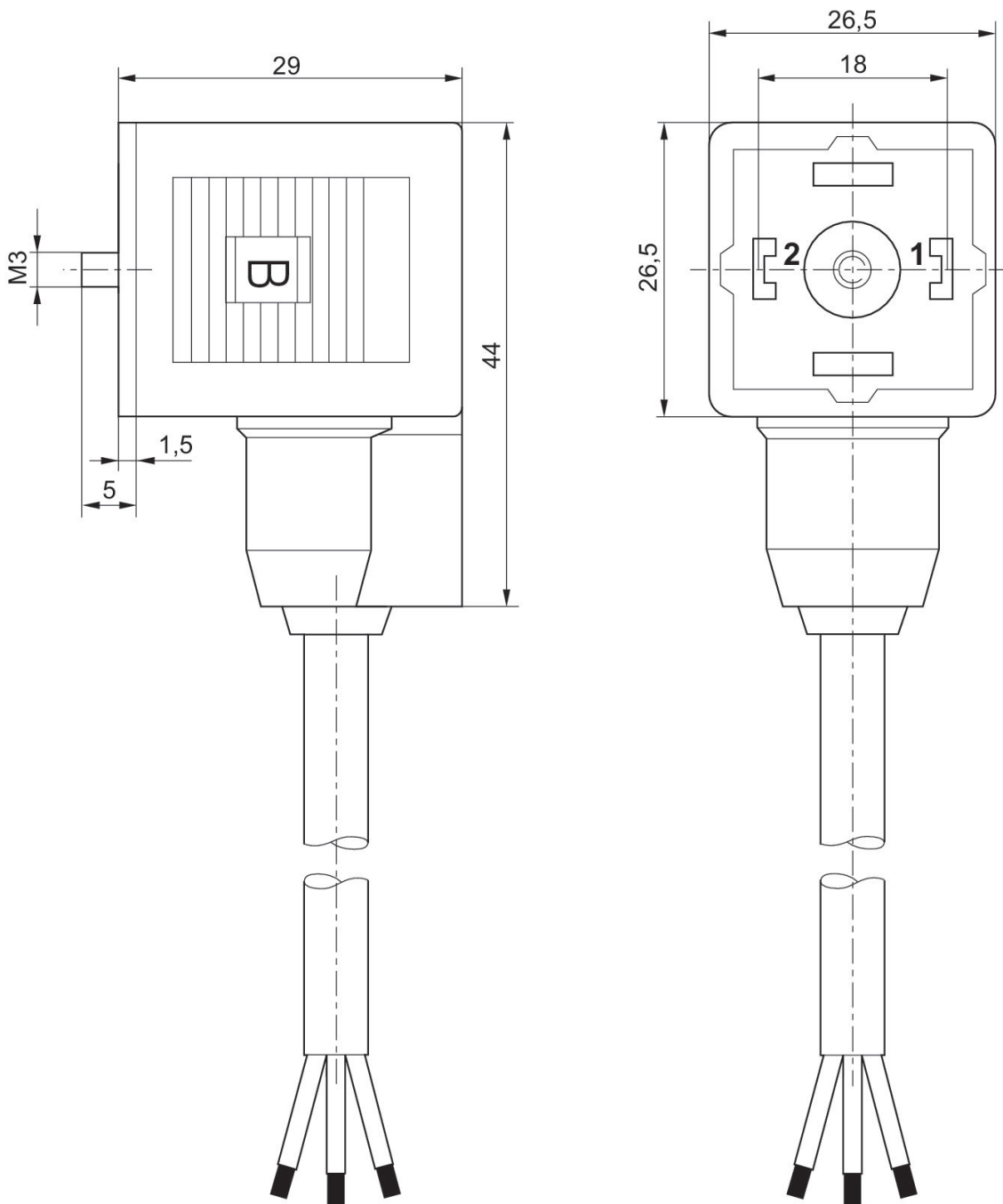
**Valve plug connector, series CON-VP**

form A



Operational voltage	Contact assignment	Cable-Ø [mm]	Cable length [m]	Part No.
230 V AC/DC	2+E	5.9	3	1834484160

Dimensions



Valve plug connector, series CON-VP

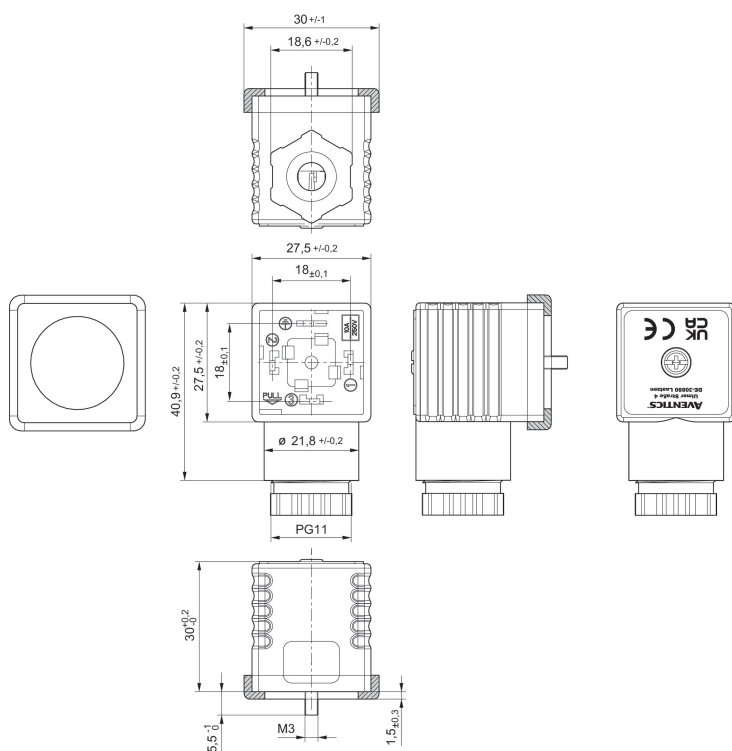
EN 175301-803, form A  
CE declaration of conformity  
UKCA



Operational voltage	Max. current [A]	Contact assignment	min. suitable cable Ø [mm]	max. suitable cable Ø [mm]	Part No.
300 V DC / 250 V AC	10	2+E	4	9.5	1834484048

1834484048

Dimensions



Profile seal

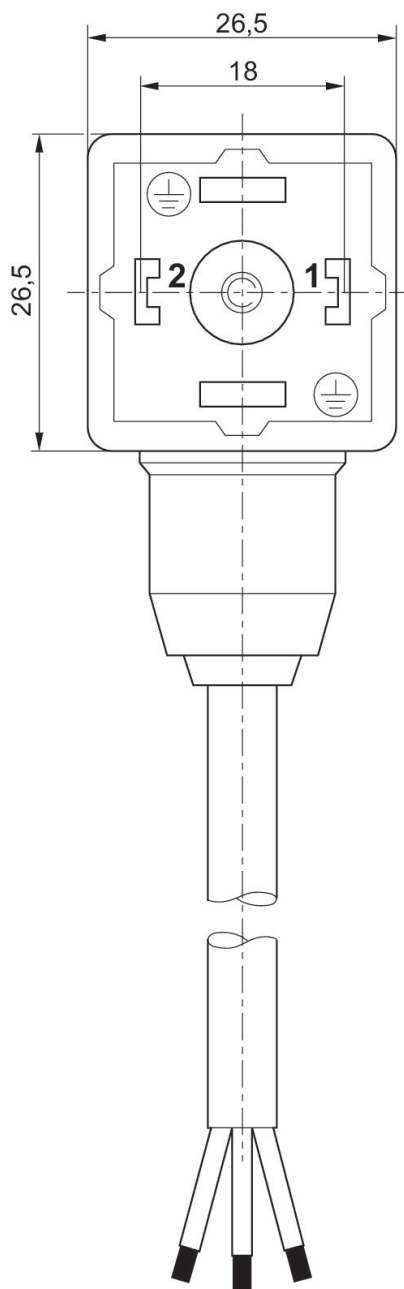
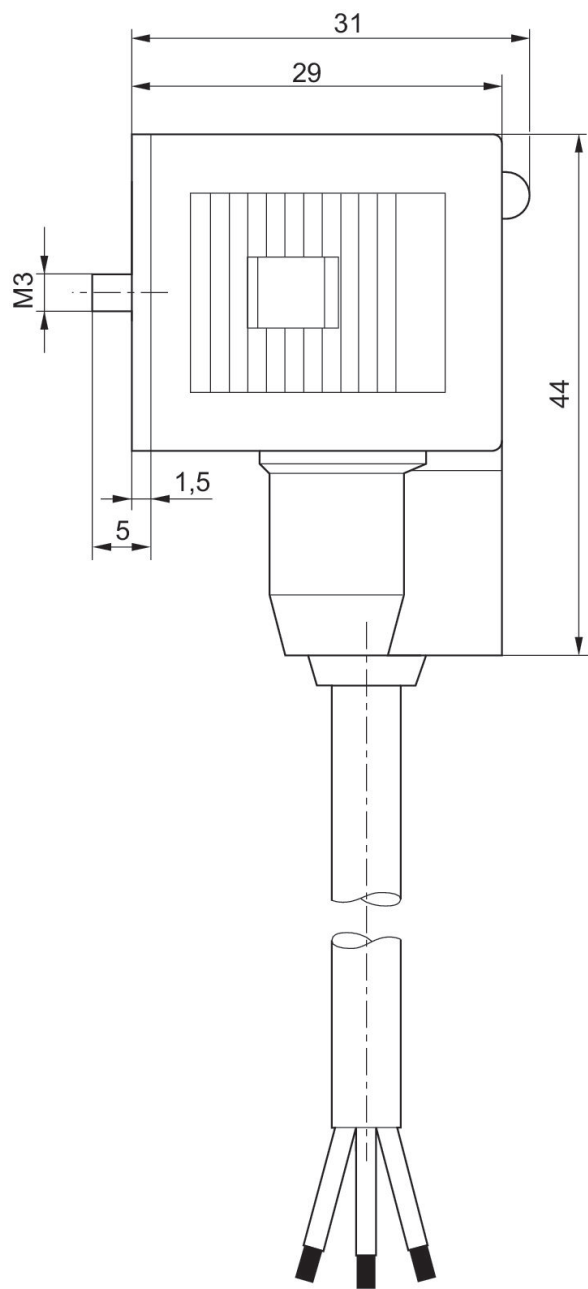
**Valve plug connector, series CON-VP**

form A



Operational voltage	Protective circuit	Contact assignment	LED status display	Cable-Ø [mm]	Cable length [m]	Part No.
24 V AC/DC	Z-diode	2+E	Yellow	5.9	3	1834484162
24 V AC/DC	Z-diode	2+E	Yellow	5.9	5	1834484163
230 V AC/DC	Varistor	2+E	Red	5.9	3	1834484164
230 V AC/DC	Varistor	2+E	Red	5.9	5	1834484165

Dimensions



Valve plug connector, series CON-VP

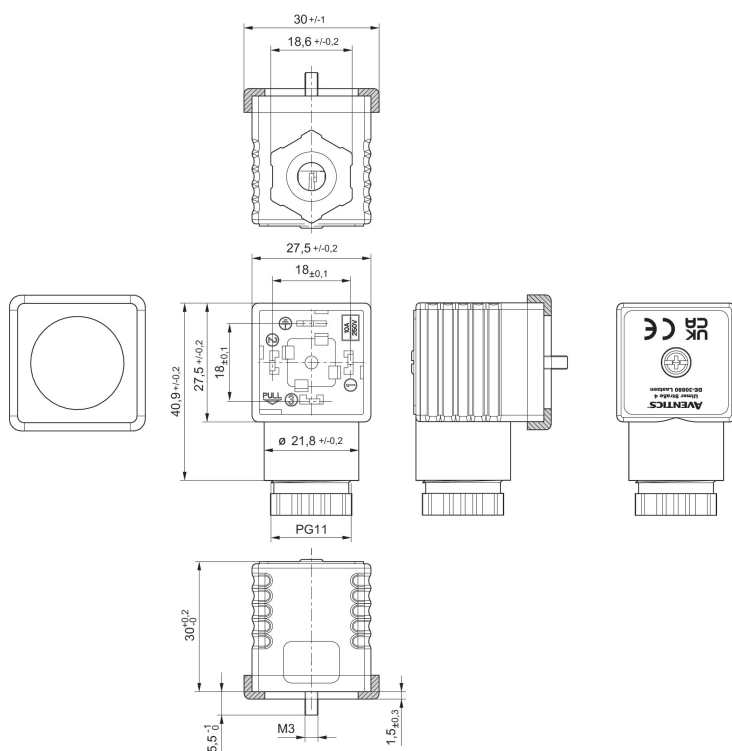
EN 175301-803, form A  
CE declaration of conformity  
UKCA



Operational voltage	Max. current [A]	Contact assignment	min. suitable cable Ø [mm]	max. suitable cable Ø [mm]	Part No.
300 V DC / 250 V AC	10	3+E	4	9.5	1834484059

1834484059

Dimensions



Profile seal

Valve plug connector, series CON-VP

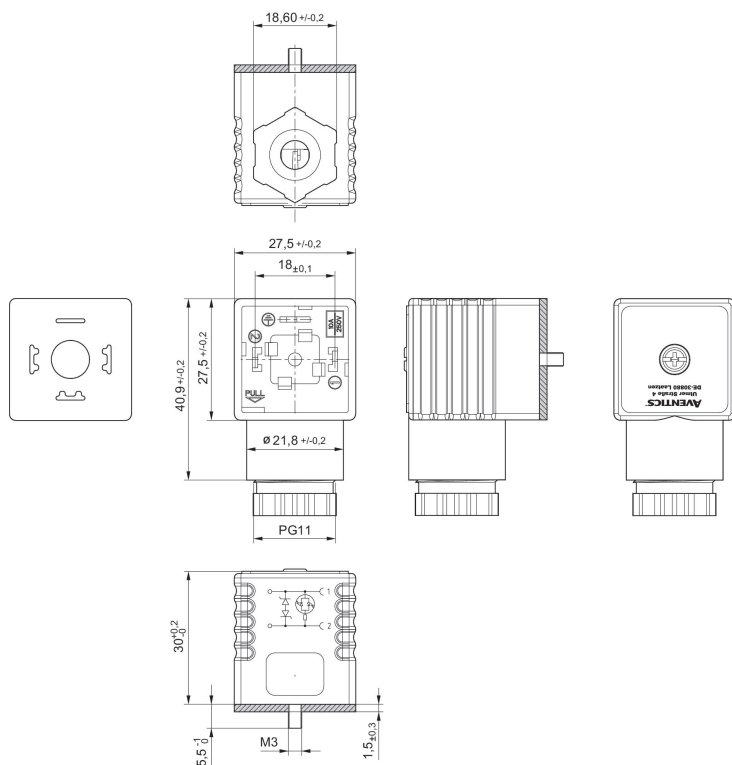
EN 175301-803, form A



Operational voltage	Protective circuit	Max. current [A]	Contact assignment	LED status display	min. suitable cable Ø [mm]	max. suitable cable Ø [mm]	Part No.
24 V AC/DC	2 Z-diodes	1.5	2+E	Yellow	4	9.5	1834484101

1834484101

Dimensions



Flat gasket

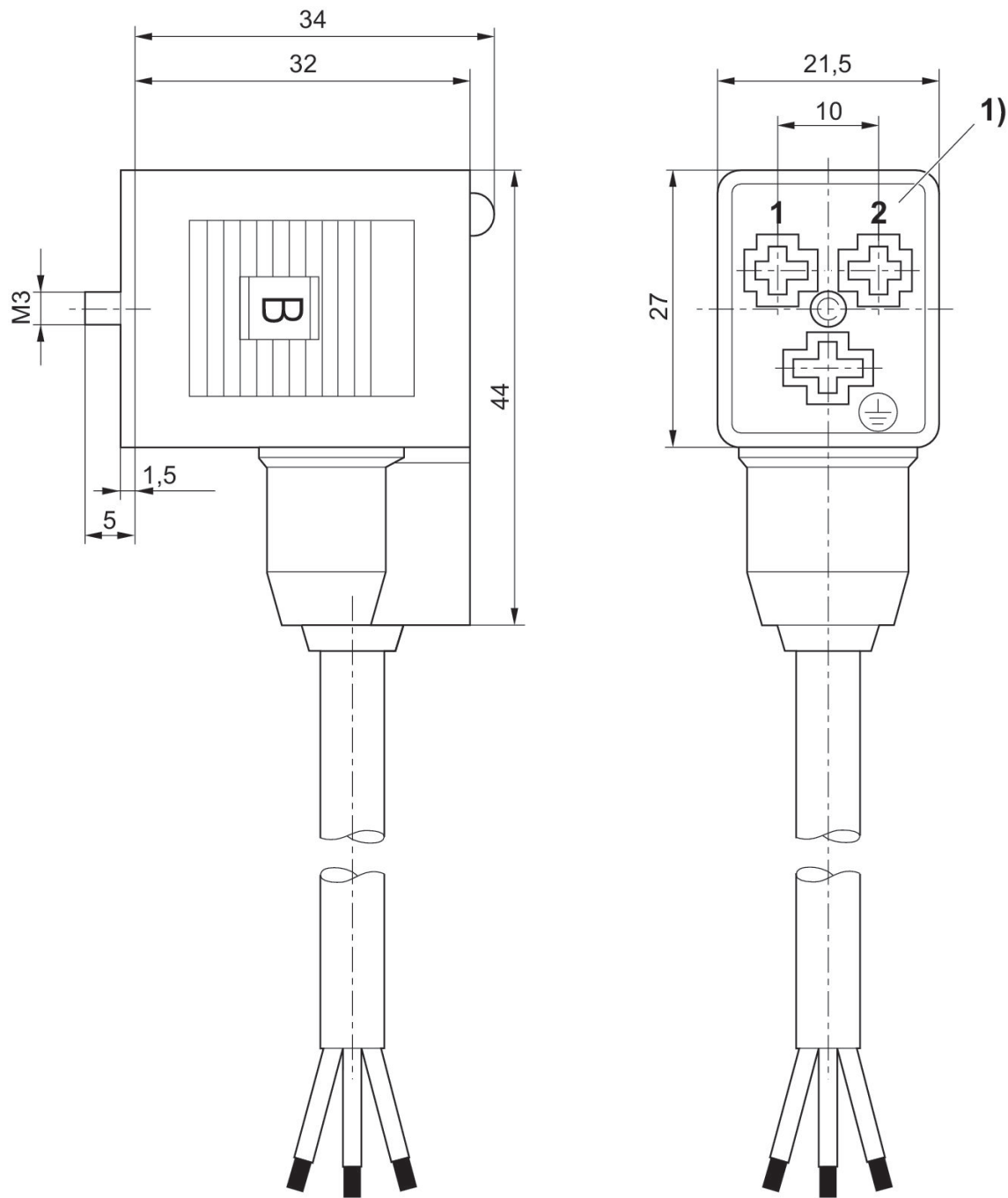
**Valve plug connector, series CON-VP**

Form B



Operational voltage	Protective circuit	Max. current [A]	Contact assignment	LED status display	Cable-Ø [mm]	Cable length [m]	Part No.
24 V AC/DC	Z-diode	10	2+E	Yellow	5.9	3	1834484152
24 V AC/DC	Z-diode	10	2+E	Yellow	5.9	5	1834484154

Dimensions



1) 0° female insert

Valve plug connector, series CON-VP

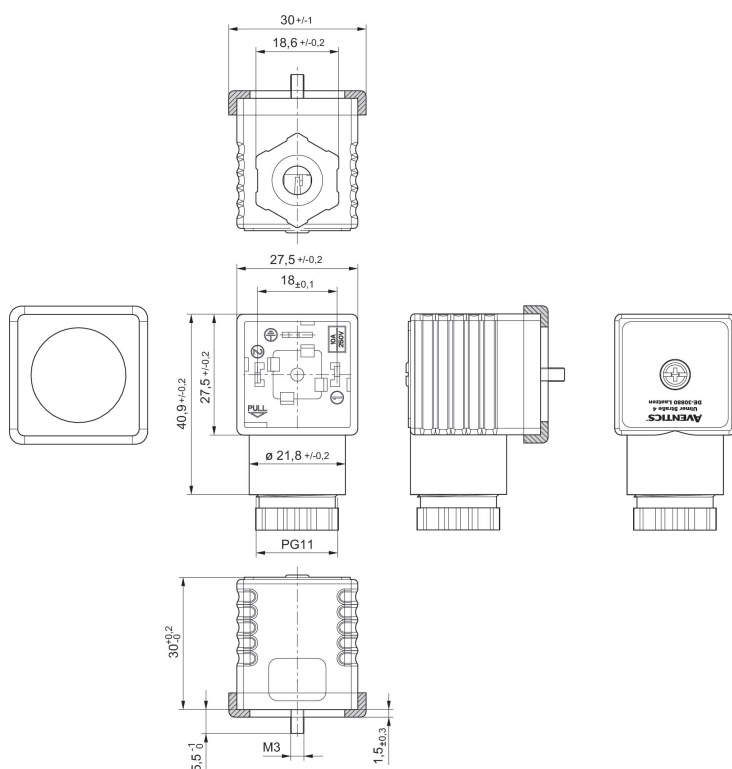
EN 175301-803, form A



Operational voltage	Protective circuit	Max. current [A]	Contact assignment	LED status display	min. suitable cable Ø [mm]	max. suitable cable Ø [mm]	Part No.
24 V AC/DC	Varistor	1.5	2+E	Green	4	9.5	8941016102

8941016102

Dimensions



Profile seal

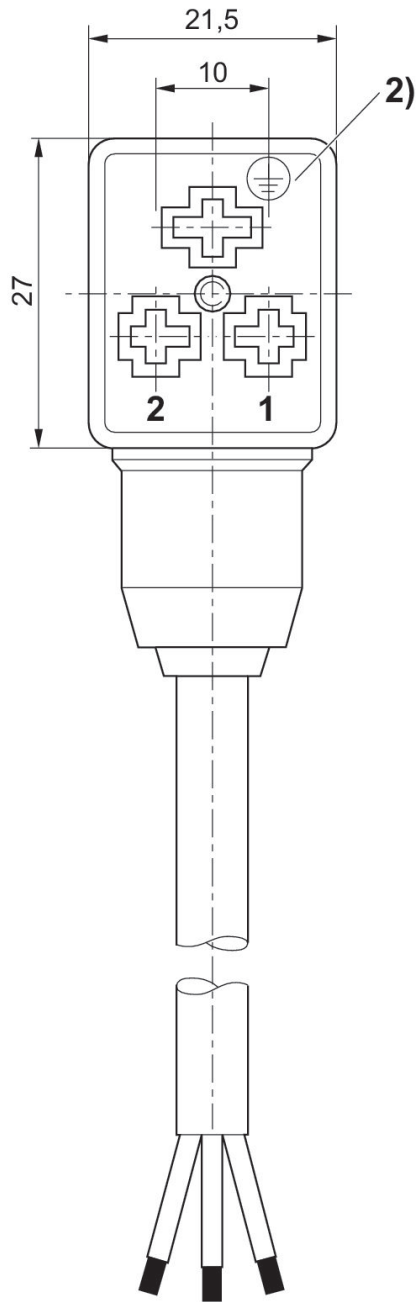
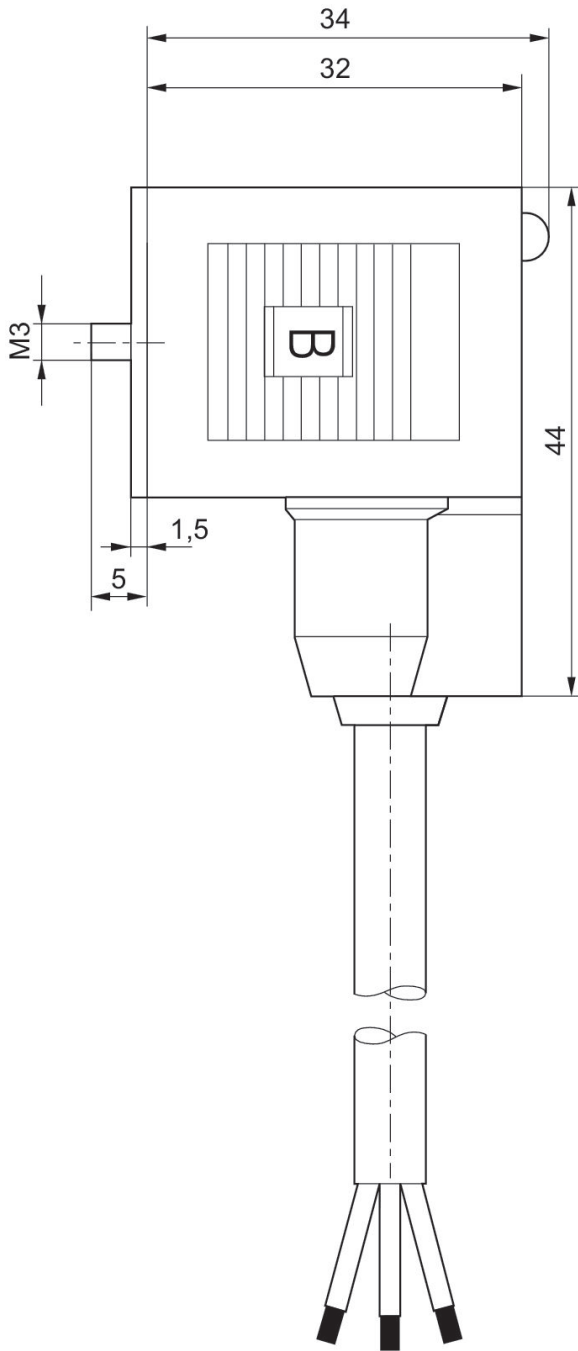
Valve plug connector, series CON-VP

Form B



Operational voltage	Protective circuit	Max. current [A]	Contact assignment	LED status display	Cable-Ø [mm]	Cable length [m]	Part No.
24 V AC/DC	Z-diode	10	2+E	Yellow	5.9	3	1834484153
24 V AC/DC	Z-diode	10	2+E	Yellow	5.9	5	1834484155

Dimensions



2) 180° female insert

Valve plug connector, series CON-VP

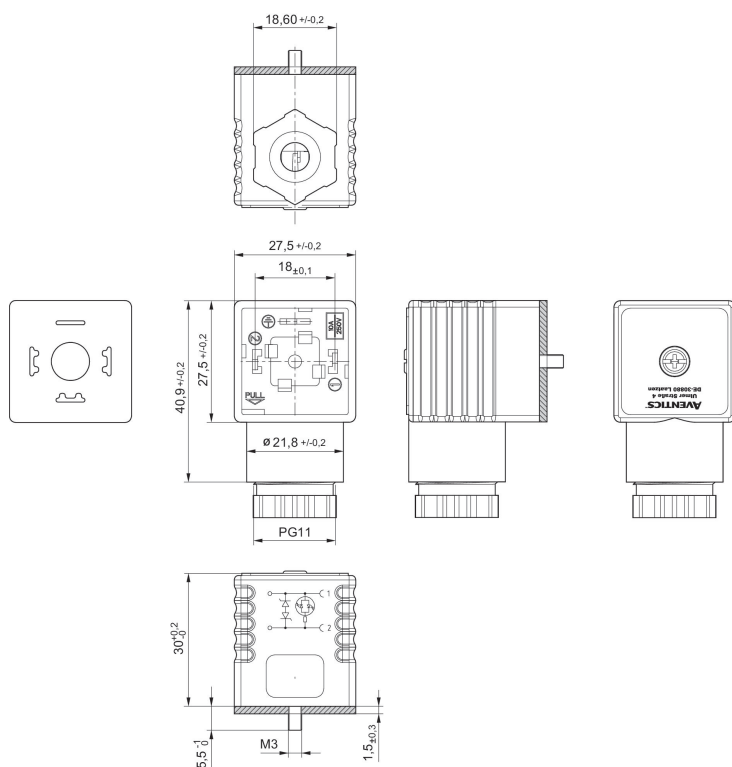
EN 175301-803, form A  
CE declaration of conformity  
UKCA



Operational voltage	Protective circuit	Contact assignment	LED status display	min. suitable cable Ø [mm]	max. suitable cable Ø [mm]	Part No.
115 V AC/DC	Varistor	2+E	Red	6.5	9.5	1834484102
230 V AC/DC	Varistor	2+E	Red	6.5	9.5	1834484103

1834484102, 1834484103

Dimensions



Flat gasket

Valve plug connector, series CON-VP

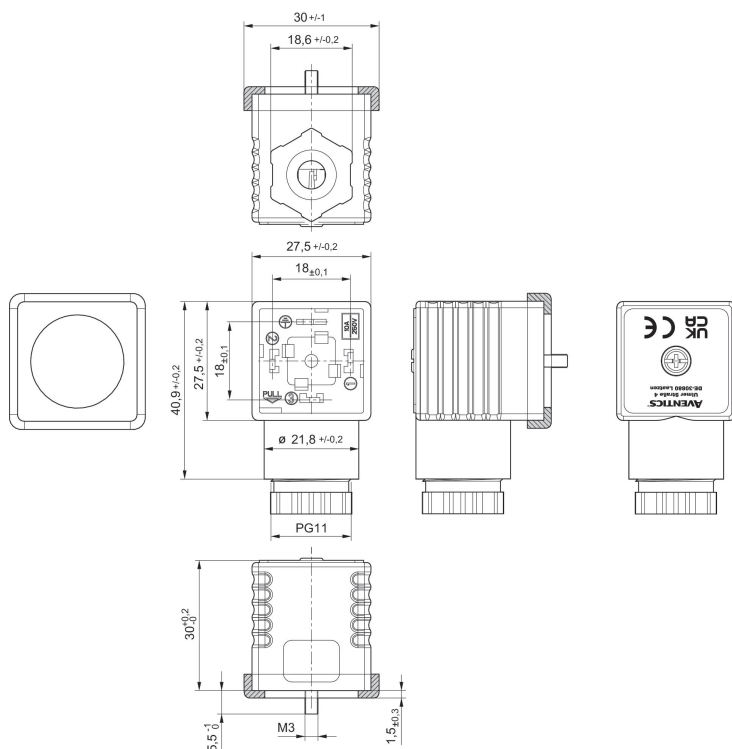
EN 175301-803, form A  
CE declaration of conformity  
UKCA



Operational voltage	Protective circuit	Contact assignment	LED status display	min. suitable cable Ø [mm]	max. suitable cable Ø [mm]	Part No.
230 V AC/DC	Varistor	2+E	Green	6.5	9.5	8941016112

8941016112

Dimensions



Profile seal

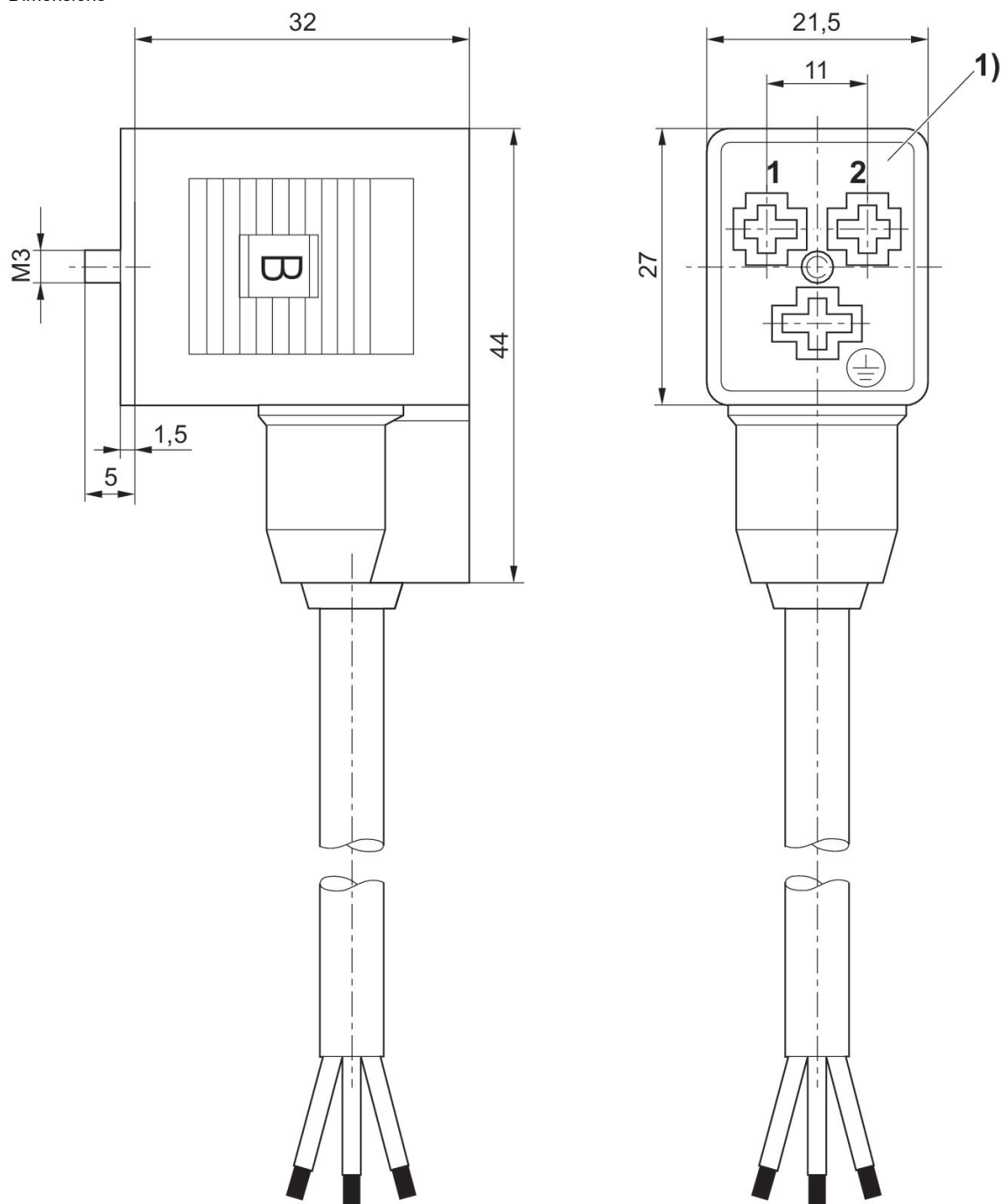
Valve plug connector, series CON-VP

Form B



Max. current [A]	Contact assignment	Cable-Ø [mm]	Cable length [m]	Part No.
4	2+E	5.9	3	8946201912

Dimensions



1) 0° female insert

Valve plug connector, series CON-VP

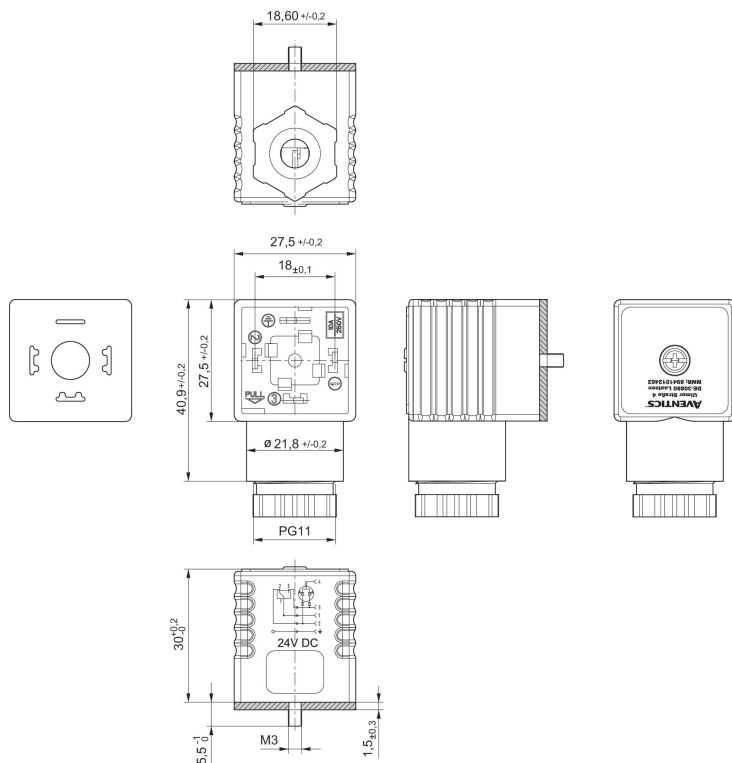
EN 175301-803, form A



Operational voltage	Protective circuit	Max. current [A]	Contact assignment	LED status display	min. suitable cable Ø [mm]	max. suitable cable Ø [mm]	Part No.
24 V DC	2 diodes (1 A)	1	3+E	green/red	4	9.5	8941012462

8941012462

Dimensions



Flat gasket

Valve plug connector, series CON-VP

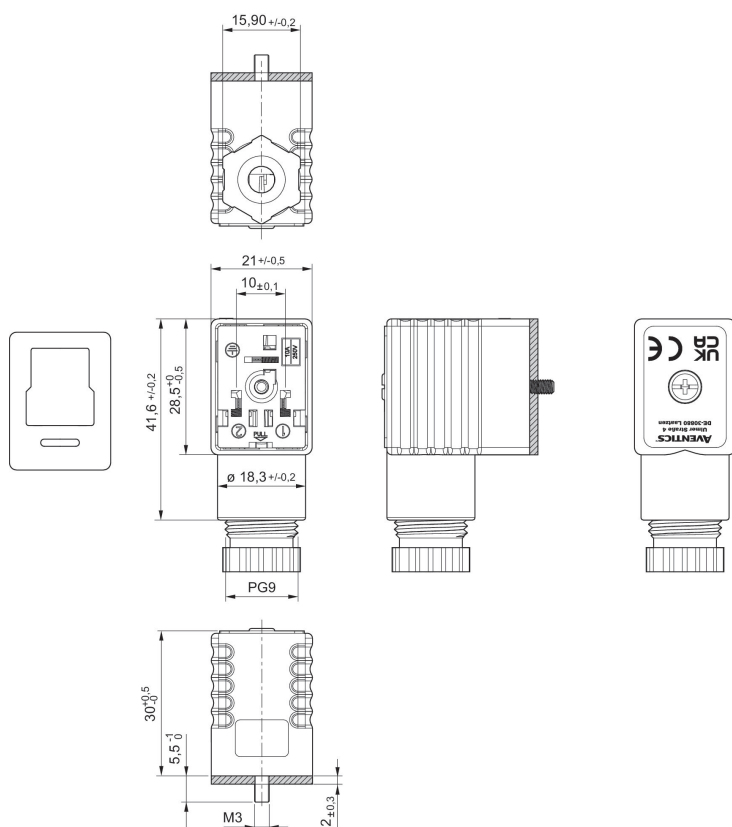
EN 175301-803, form B  
CE declaration of conformity  
UKCA



Operational voltage	Max. current [A]	Contact assignment	min. suitable cable Ø [mm]	max. suitable cable Ø [mm]	Part No.
300 V DC / 250 V AC	10	2+E	4	8	1834484096

1834484096

Dimensions



Flat gasket

Valve plug connector, series CON-VP

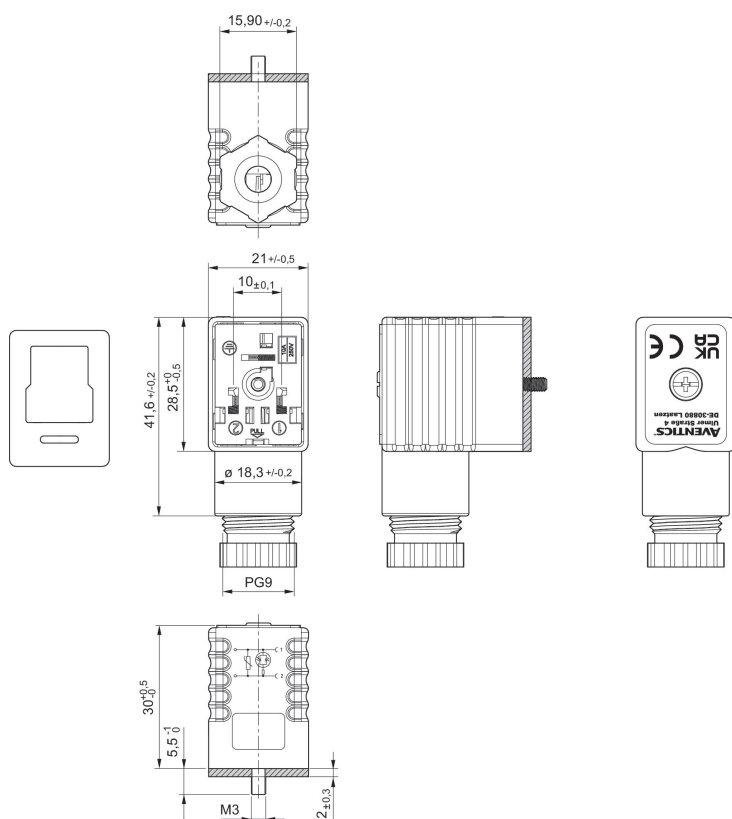
EN 175301-803, form B  
CE declaration of conformity  
UKCA



Operational voltage	Protective circuit	Max. current [A]	Contact assignment	LED status display	min. suitable cable Ø [mm]	max. suitable cable Ø [mm]	Part No.
115 V AC/DC	Varistor	1.5	2+E	Red	4	8	1834484105
230 V AC/DC	Varistor	1.5	2+E	Red	4	8	1834484106

1834484105, 1834484106

Dimensions



Flat gasket

Valve plug connector, series CON-VP

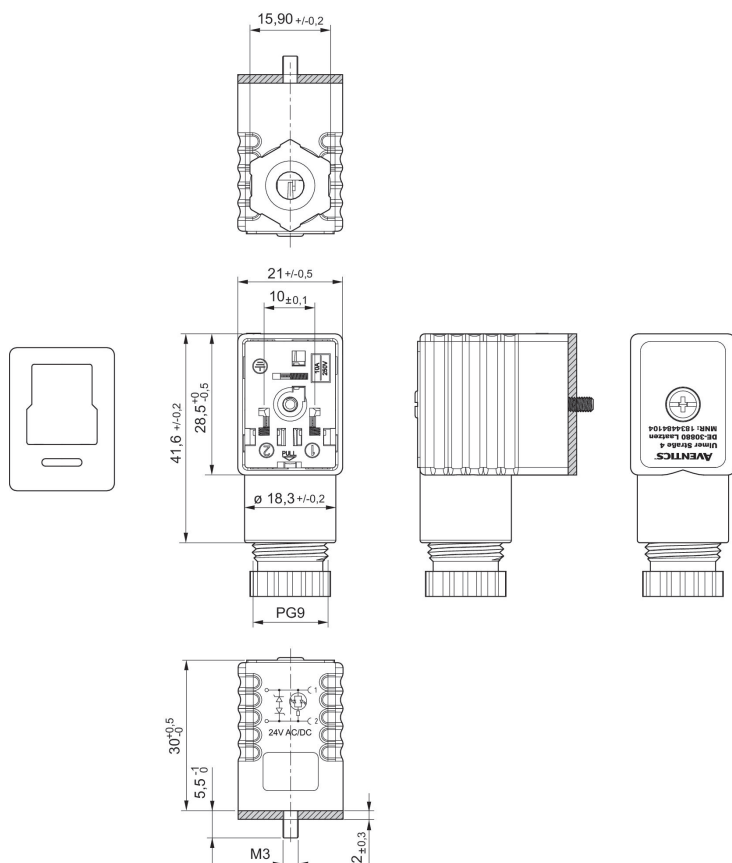
EN 175301-803, form B



Operational voltage	Protective circuit	Max. current [A]	Contact assignment	LED status display	min. suitable cable Ø [mm]	max. suitable cable Ø [mm]	Part No.
24 V AC/DC	2 Z-diodes	1.5	2+E	Yellow	4	8	1834484104

1834484104

Dimensions



Flat gasket

### Valve plug connector, series CON-VP

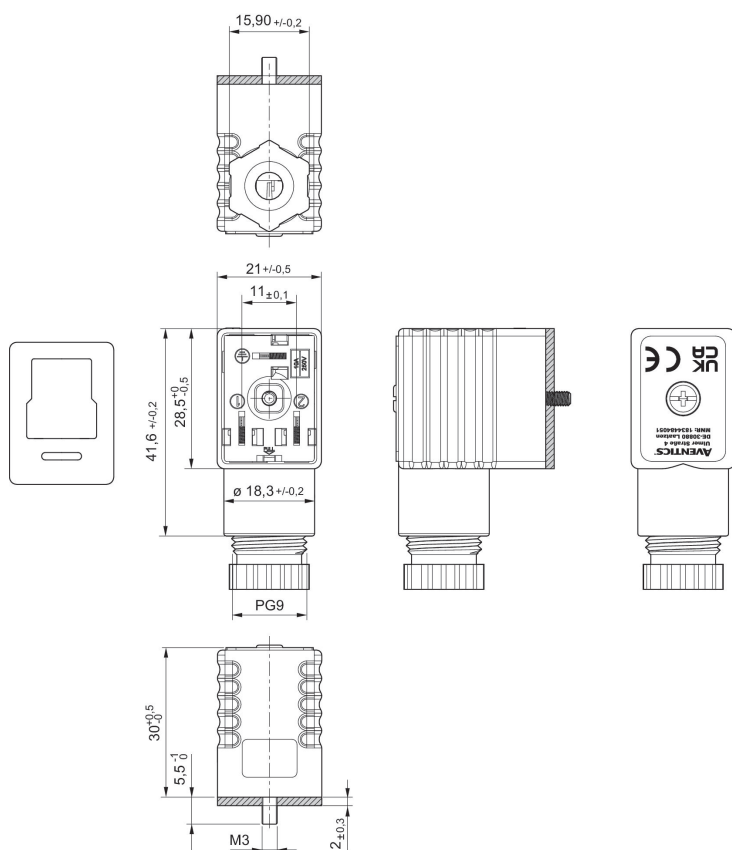
Form B, industry  
CE declaration of conformity  
UKCA



Operational voltage	Max. current [A]	Contact assignment	min. suitable cable Ø [mm]	max. suitable cable Ø [mm]	Part No.
300 V DC / 250 V AC	10	2+E	4	8	1834484051

### 1834484051

Dimensions



Flat gasket

Valve plug connector, series CON-VP

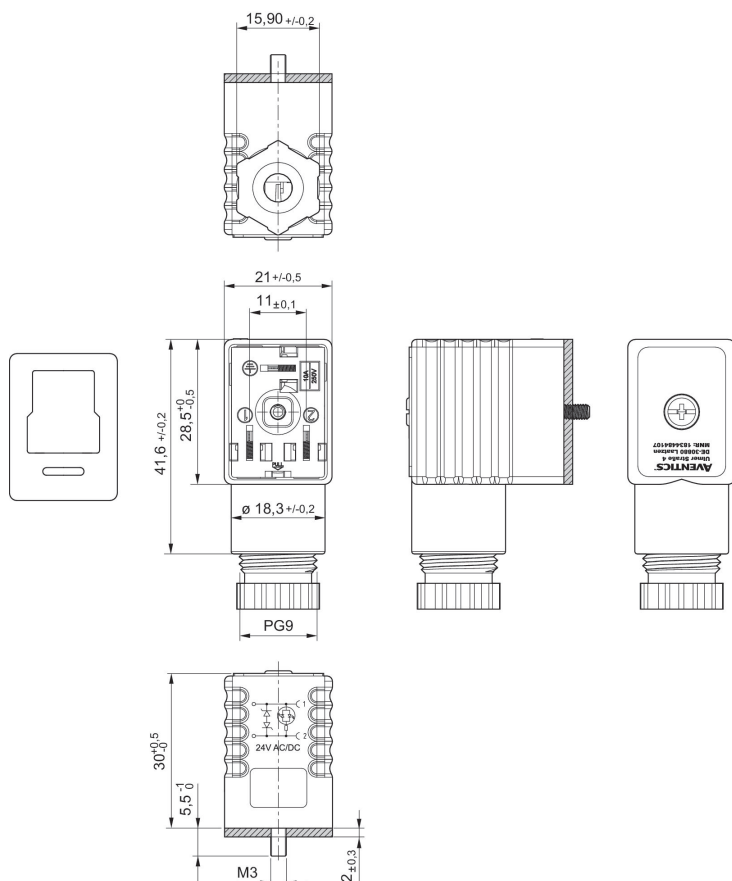
Form B, industry



Operational voltage	Protective circuit	Max. current [A]	Contact assignment	LED status display	min. suitable cable Ø [mm]	max. suitable cable Ø [mm]	Part No.
24 V AC/DC	2 Z-diodes	1.5	2+E	Yellow	4	8	1834484107

1834484107

Dimensions



Flat gasket

Valve plug connector, series CON-VP

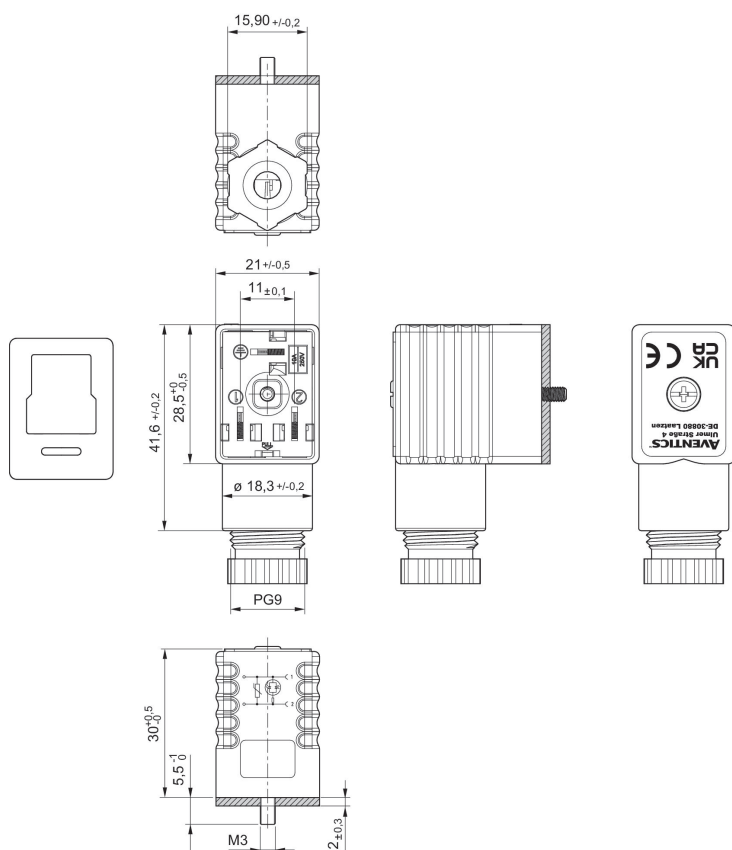
Form B, industry  
CE declaration of conformity  
UKCA



Operational voltage	Protective circuit	Max. current [A]	Contact assignment	LED status display	min. suitable cable Ø [mm]	max. suitable cable Ø [mm]	Part No.
115 V AC/DC	Varistor	1.5	2+E	Red	4	8	1834484108
230 V AC/DC	Varistor	1.5	2+E	Red	4	8	1834484109

1834484108, 1834484109

Dimensions



Flat gasket

### Valve plug connector, series CON-VP

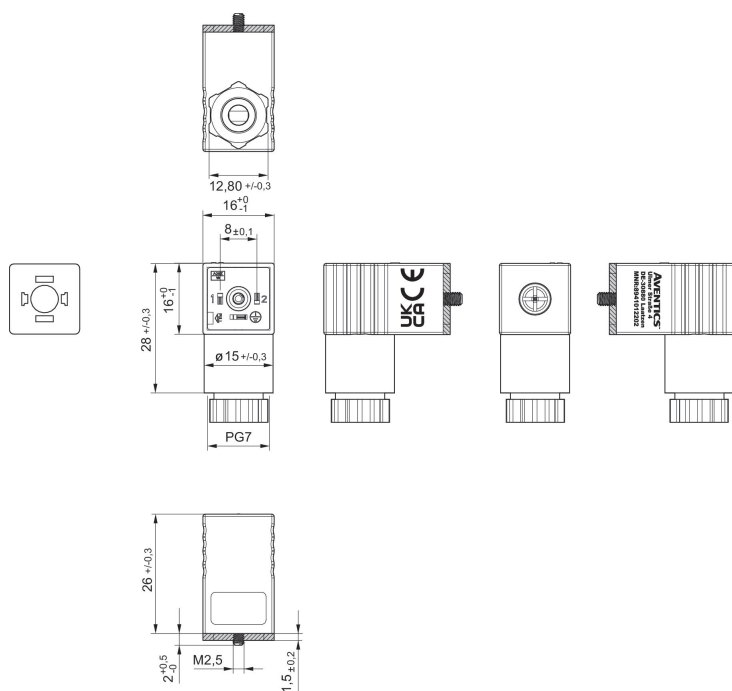
EN 175301-803, form C  
CE declaration of conformity  
UKCA



Operational voltage	Max. current [A]	Contact assignment	min. suitable cable Ø [mm]	max. suitable cable Ø [mm]	Part No.
300 V DC / 250 V AC	6	2+E	4	6	8941012202

### 8941012202

Dimensions



Flat gasket

Valve plug connector, series CON-VP

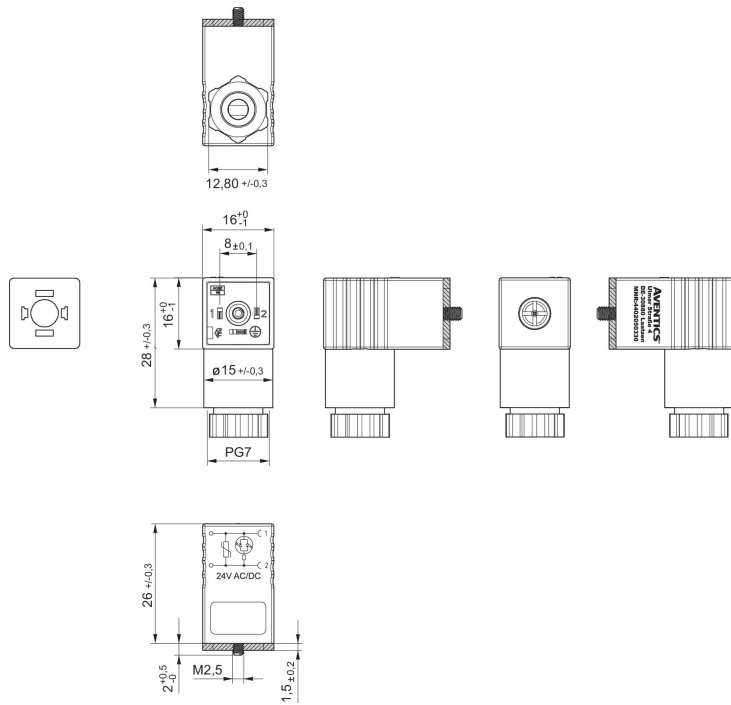
EN 175301-803, form C



Operational voltage	Protective circuit	Max. current [A]	Contact assignment	LED status display	min. suitable cable Ø [mm]	max. suitable cable Ø [mm]	Part No.
24 V AC/DC	Varistor	1.5	2+E	Green	4	6	4402050330

4402050330

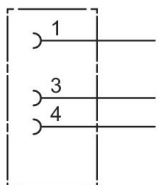
Dimensions



Flat gasket

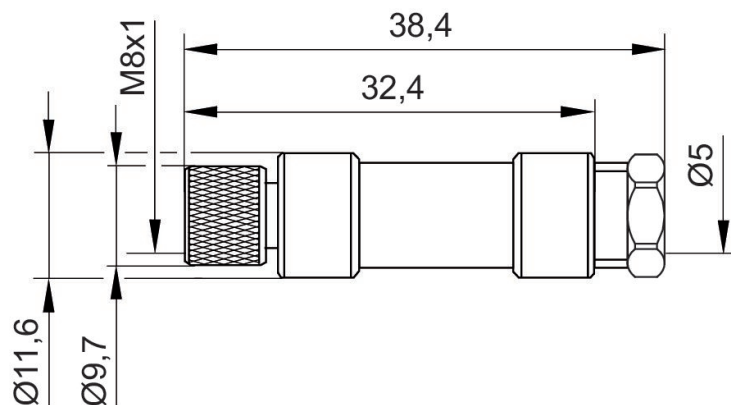
Round plug connector, Series CON-RD

Socket  
M8x1  
3-pin



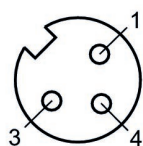
Operational voltage	Contact assignment	Coding	Shielding	Connection type	Max. current [A]	min. suitable cable Ø [mm]	max. suitable cable Ø [mm]	Min. ambient temperature [°C]	Max. ambient temperature [°C]	Part No.
48 V AC/DC	3-pin	A-coded	unshielded	Soldering	4	3.5	5	-25	80	1834484173

Dimensions



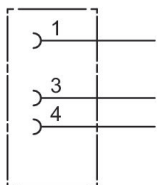
**1834484173**

Pin assignment, socket



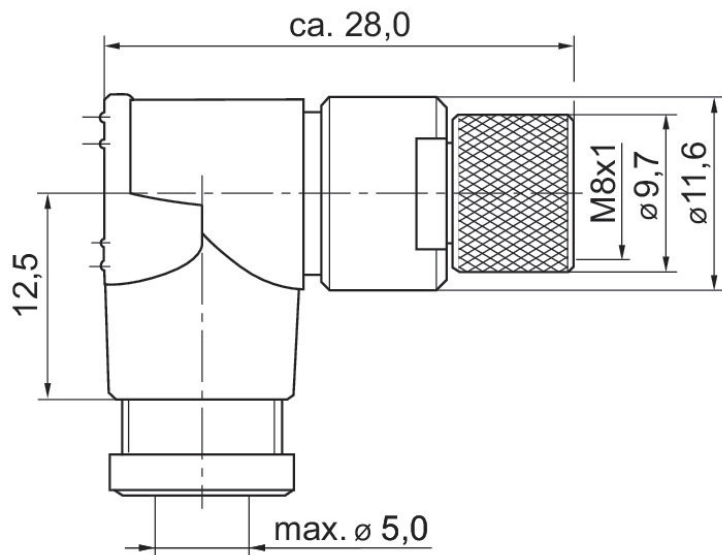
Round plug connector, Series CON-RD

Socket  
M8x1  
3-pin



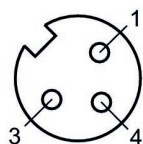
Operational voltage	Contact assignment	Coding	Shielding	Connection type	Max. current [A]	min. suitable cable Ø [mm]	max. suitable cable Ø [mm]	Min. ambient temperature [°C]	Max. ambient temperature [°C]	Part No.
48 V AC/DC	3-pin	A-coded	unshielded	Soldering	4	3.5	5	-40	85	1834484174

Dimensions in mm



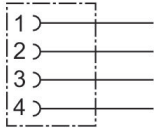
1834484174

Pin assignment, socket



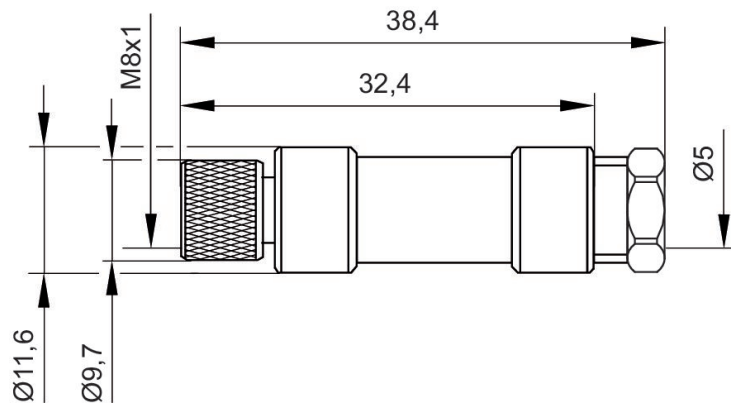
Round plug connector, Series CON-RD

Socket  
M8x1  
4-pin



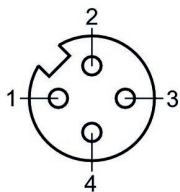
Operational voltage	Contact assignment	Coding	Shielding	Connection type	Max. current [A]	min. suitable cable Ø [mm]	max. suitable cable Ø [mm]	Min. ambient temperature [°C]	Max. ambient temperature [°C]	Part No.
48 V AC/DC	4-pin	A-coded	unshielded	Soldering	4	3.5	5	-40	85	1834484175

Dimensions



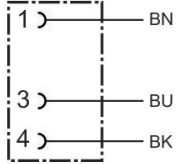
1834484175

Pin assignment, socket



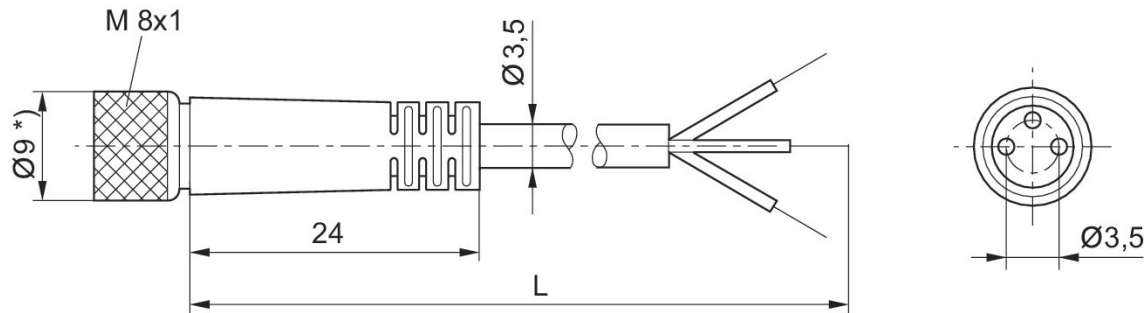
### Round plug connector, Series CON-RD

Socket  
open cable ends  
M8x1  
3-pin



Operational voltage	Current [A]	Shielding	Electrical connection 1, type	Electrical connection 1, thread size	Electrical connection 1, coding	Electrical connection 2, type	Cable length [m]	Cable-Ø [mm]	Wire cross-section [mm²]	Part No.
36 V DC / 30 V AC	2.5	unshielded	Socket	M8x1	A-coded	open cable ends	2	3.5	0.34	8946201312
60 V DC / 110 V AC	2.5	unshielded	Socket	M8x1	A-coded	open cable ends	15	3.5	0.34	8946201332

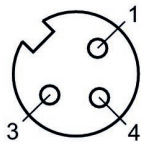
Dimensions



L = length  
\*) With 15 m cable length Ø12

### 8946201312, 8946201332

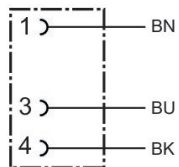
Pin assignment, socket



(1) BN=brown (3) BU=blue (4) BK=black

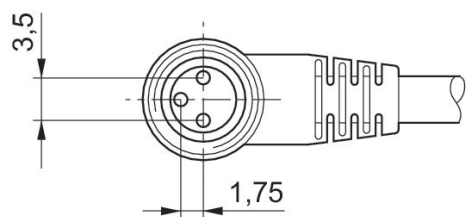
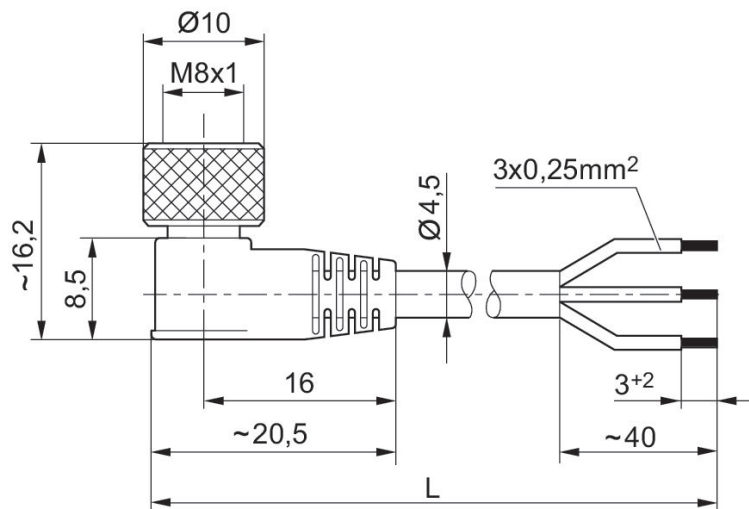
### Round plug connector, Series CON-RD

Socket  
M8x1  
3-pin



Operational voltage	Current [A]	Shielding	Electrical connection 1, type	Electrical connection 1, thread size	Electrical connection 1, coding	Electrical connection 2, type	Cable length [m]	Cable-Ø [mm]	Wire cross-section [mm²]	Min. ambient temperature [°C]	Max. ambient temperature [°C]	Part No.
48 V AC/DC	4	unshielded	Socket	M8x1	A-coded	open cable ends	3	4.5	0.24	-40	85	1834484167
48 V AC/DC	4	unshielded	Socket	M8x1	A-coded	open cable ends	5	4.5	0.24	-40	85	1834484169
48 V AC/DC	4	unshielded	Socket	M8x1	A-coded	open cable ends	10	4.5	0.24	-40	85	1834484248

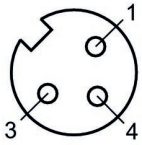
Dimensions



L = length

**1834484167, 1834484169, 1834484248**

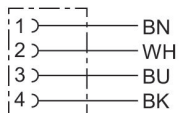
Pin assignment, socket



(1) BN=brown (3) BU=blue (4) BK=black

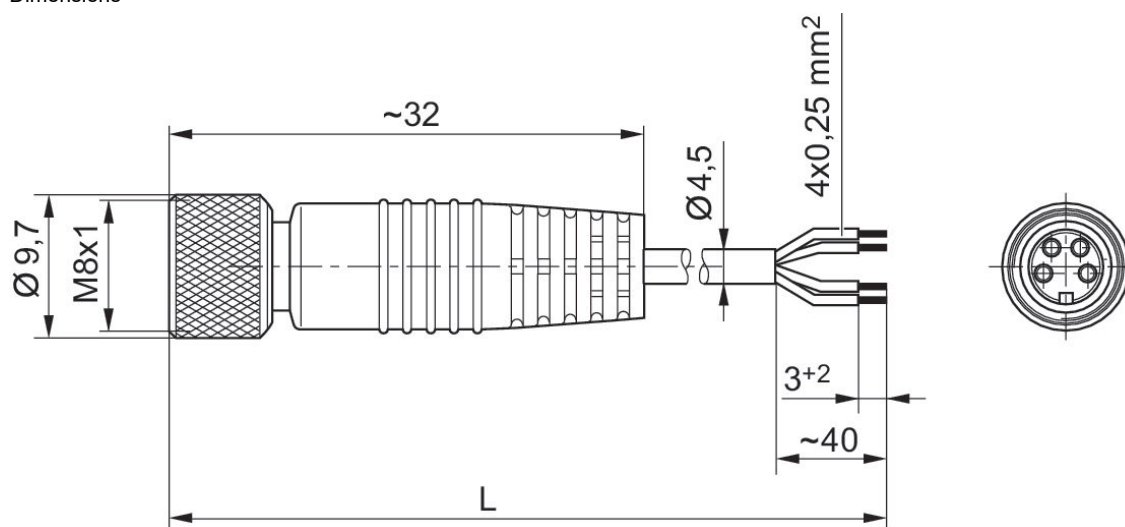
### Round plug connector, Series CON-RD

Socket  
M8x1  
4-pin



Operational voltage	Current [A]	Shielding	Electrical connection 1, type	Electrical connection 1, thread size	Electrical connection 1, coding	Electrical connection 2, type	Cable length [m]	Cable-Ø [mm]	Wire cross-section [mm²]	Min. ambient temperature [°C]	Max. ambient temperature [°C]	Part No.
48 V AC/DC	4	unshielded	Socket	M8x1	A-coded	open cable ends	3	4.5	0.25	-40	85	1834484144
48 V AC/DC	4	unshielded	Socket	M8x1	A-coded	open cable ends	5	4.5	0.25	-40	85	1834484146

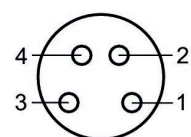
Dimensions



L = length

**1834484144, 1834484146**

Pin assignment, socket



(1) BN=brown (2) WH=white (3) BU=blue (4) BK=black

# Efficient pneumatic solutions, our program: cylinders and drives, valves and valve systems, air supply management



Visit us: [Emerson.com/Aventics](https://www.emerson.com/aventics)

Your local contact: [Emerson.com/contactus](https://www.emerson.com/contactus)



[Emerson.com](https://www.emerson.com)



[Facebook.com/EmersonAutomationSolutions](https://www.facebook.com/EmersonAutomationSolutions)



[LinkedIn.com/company/Emerson-Automation-Solutions](https://www.linkedin.com/company/Emerson-Automation-Solutions)



[Twitter.com/EMR\\_Automation](https://twitter.com/EMR_Automation)

An example configuration is depicted on the title page. The delivered product may thus vary from that in the illustration. Subject to change. This Document, as well as the data, specifications and other information set forth in it, are the exclusive property of AVENTICS GmbH. It may not be reproduced or given to third parties without its consent. Only use the AVENTICS products shown in industrial applications. Read the product documentation completely and carefully before using the product. Observe the applicable regulations and laws of the respective country. When integrating the product into applications, note the system manufacturer's specifications for safe use of the product. The data specified only serve to describe the product. No statements concerning a certain condition or suitability for a certain application can be derived from our information. The information given does not release the user from the obligation of own judgment and verification. It must be remembered that the products are subject to a natural process of wear and aging.

The Emerson logo is a trademark and service mark of Emerson Electric Co. Brand logotype are registered trademarks of one of the Emerson family of companies. All other marks are the property of their respective owners. © 2019 Emerson Electric Co. All rights reserved.



**CONSIDER IT SOLVED™**