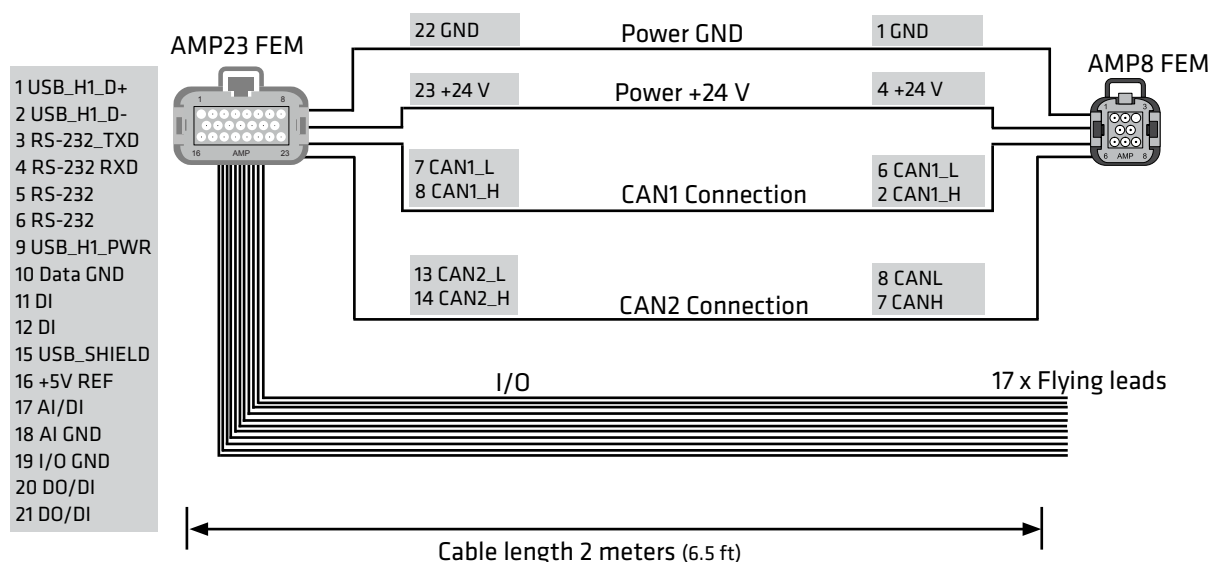


Power Supply & CAN Cable for 6000 Series Display Units

DATA SHEET

This cable is meant for system development. It has AMP8 connector for power supply and CAN connection, and flying leads for the rest of the I/O as described in the following figure.



POWER SUPPLY & CAN CABLE FOR 6000 SERIES

PRODUCT NAME	POWER SUPPLY & CAN CABLE FOR 6000 SERIES DISPLAY UNITS
ORDERING CODE	E30902490
CABLE LENGTH	2 METERS
CABLE CONNECTORS	AMP23 FEM - 1 x AMP8 FEM, 17 x FLYING LEADS

