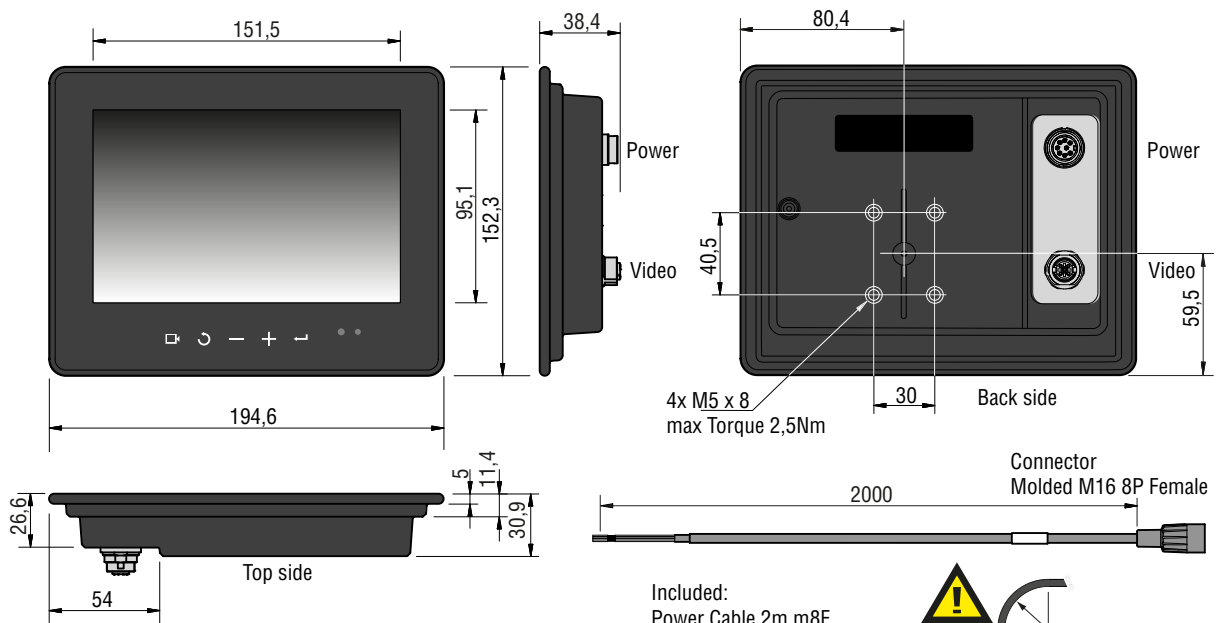


Product Data

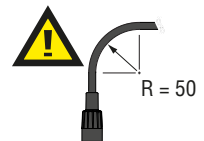


Dimensions



Units in mm

Included:
Power Cable 2m m8F
Art. No 1001621



Min. bend radius= 50mm

TECHNICAL DATA

Monitor 7" ELED Ethernet Monitor 7" ELED BroadR-Reach

	Description
Article number Set	Ethernet 0411400
Monitor	Article No. 0228000 Monitor 7" ELED Ethernet
Cable	Article No. 1001621 Power cable 2m m8F
	BroadR-Reach
Article number Set	0411420
Monitor	Article No. 0228020 Monitor 7" ELED BroadR-Reach
Cable	Article No. 1001621 Power cable 2m m8F
	General
Type	a-Si TFT, Normally black, Transmissive, with Cover Lens.
Resolution	WXGA 1280 x RGB x 800 pixels.
Active Area	150.528 (H) x 94.08 (V) (7" diagonal).
Software menu	Full On-Screen-Display (OSD) functionality in 15 languages.
ABC mode	Improved Auto Brightness Control (ABC) including adjustable minimum and maximum levels for automatic control.
Light output	1000 Nits, sunlight readable.
Weight	0,82Kg.
Features	Optically bonded display with chemically strengthened cover glass protected against water, robust design and modern appearance. Integrated Capacitive keyboard in slim design. Glass cover with ARAF surface treatment.
Mounting hardware	Adjustable bracket can be ordered separately (Art No.2015500).
	Electrical
Input voltage range	12V/24Vdc
Power consumption	9,3W@24V.
Protection:	Above 33V overvoltage protection, protection deactivated below 30V. Below 7V undervoltage protection, protection deactivated above 8V. Protected against load dumps, spikes and surges, reverse polarity on all wiring.
Video input	Ethernet (100BASE-TX), BroadR-Reach (100BASE-T1). 4-wire ethernet 100BASE-TX with overall shielding. 2-wire ethernet 100BASE-T1 with overall shielding.
Connectors	Socket Power 8p M16 male, Socket Video M12 D-coded female.
	Mechanical
Enclosure	ABS-PC, Color Black.
Shock resistance	5,07Grms, 24 to 1000Hz..
Dust and water protection	IP65 according IEC 60529, IP69K according DIN 40050-9.
Operating temperature	-30°C...+70°C.
Storage temperature	-40°C...+90°C.
Temperature/Humidity test	According IEC60068-2-1/2/3/14/30/38.
	Certification
EMC Approvals	CE, Regulation 10, FCC, IC.
Environments to be used	On-road trucks, off-road trucks, maritime, railway, industrial trucks.
Compliant	RoHS and REACH.
Available documentation	IM0973576, UM0972229.

All data subject to change without notice. All dimensions are for commercial purpose only.
The camera/display systems from Orlaco comply with the latest CE, ADR, EMC and mirror-directive regulations, where applicable.
All products are manufactured in accordance with the ISO 9001 quality management system, IATF 16949 quality automotive, ISO 14001 environmental management systems and all Ex products with the IECEx scheme and ATEX directives, where applicable.

