



SEQUENCERS FOR DUST COLLECTOR SYSTEMS

without internal ΔP pressure sensor
for the control of up to 48 solenoid valves



Series
E909

FEATURES

- Electronic controller for the control of solenoid valves in dust collector systems
- ON/OFF filter cleaning cycle from external switch
- Microprocessor management
- Supply and output voltage selectable via jumper
- 5 programming keys
- Alphanumeric display, multilingual
- Adjustable pulse and interval times
- Automatic detection of number of valves
- Additional post-cleaning cycle mode
- High immunity from external interference
- Short-circuit protection of every single output
- 3 output relay (e.g. group alarm), 3 digital inputs (volt-free)



CONSTRUCTION

Housing ABS (acryl nitrile butadiene styrene), grey
Cover PC (polycarbonate), transparent

ELECTRICAL CHARACTERISTICS

Standard supply voltage AC (~) 230/115 V

Output voltage DC (=) 24 V

Other voltages on request

max. load power per output (W)	ambient temperature (°C)	electrical enclosure protection
25	-10 to 60	IP65

KENNDATEN

number of solenoid valves ⁽¹⁾	adjustable pulse time	adjustable interval time	size	catalogue number
	sec.	sec.		
4	0,05 - 5,0	1 - 999	1	E909SC4MU7.1
8				E909SC8MU7.1
12				E909SC12MU7.1
16				E909SC16MU7.1
20			2	E909SC20MU7.2
24				E909SC24MU7.2
28				E909SC28MU7.2
32				E909SC32MU7.2
36			3	E909SC36MU4.2
40				E909SC40MU4.2
44				E909SC44MU4.2
48				E909SC48MU4.2

⁽¹⁾ up to 192 valves on request.

60306GE-2016/R01
Availability, design and specifications are subject to change without notice. All rights reserved.

OPTIONS (on request)

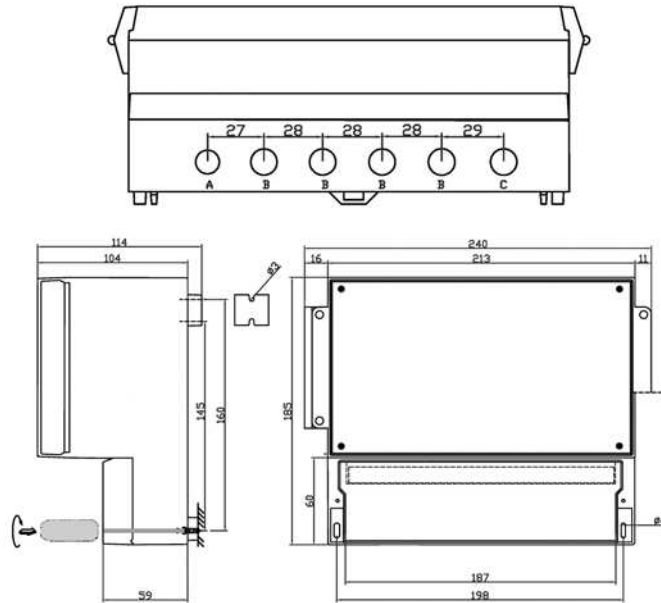
- Other voltage ratings, other housings and devices with ATEX approval

INSTALLATION

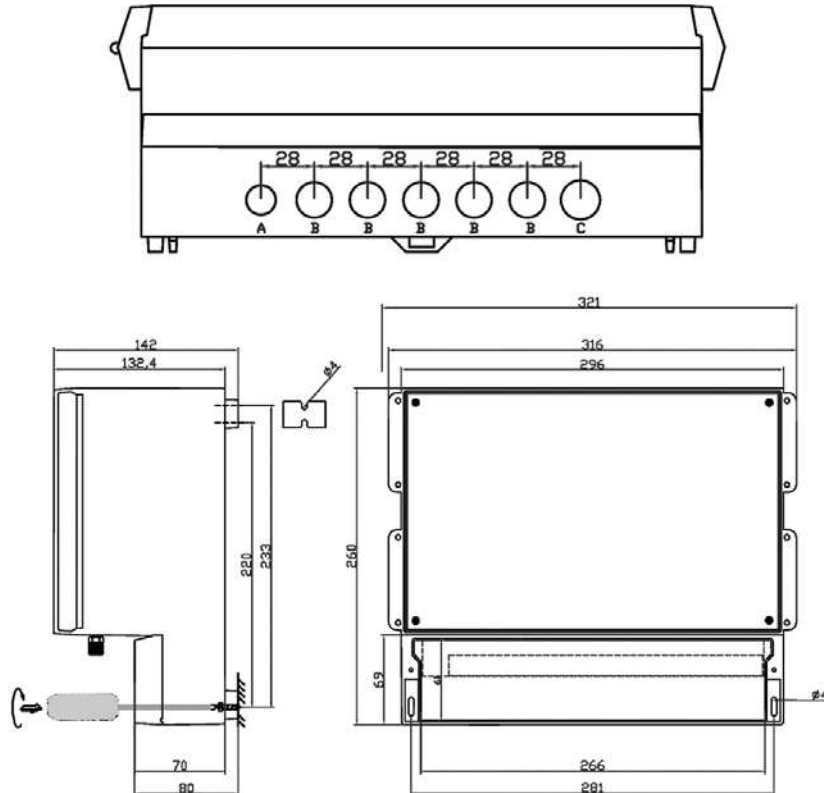
- Installation/maintenance instructions are included with each sequencer

DIMENSIONS (mm), WEIGHTS

Size 1

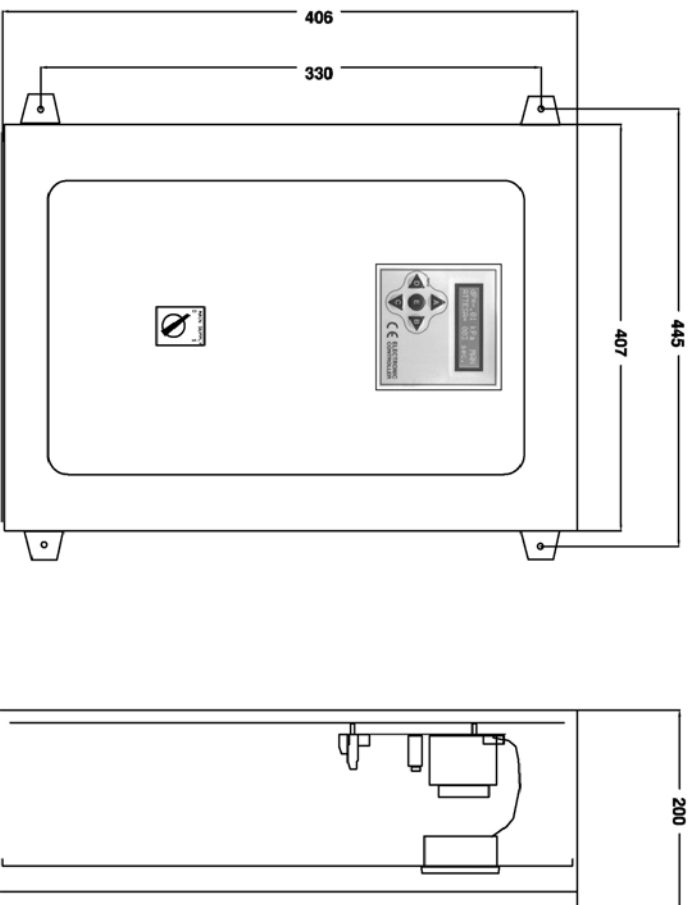


Size 2

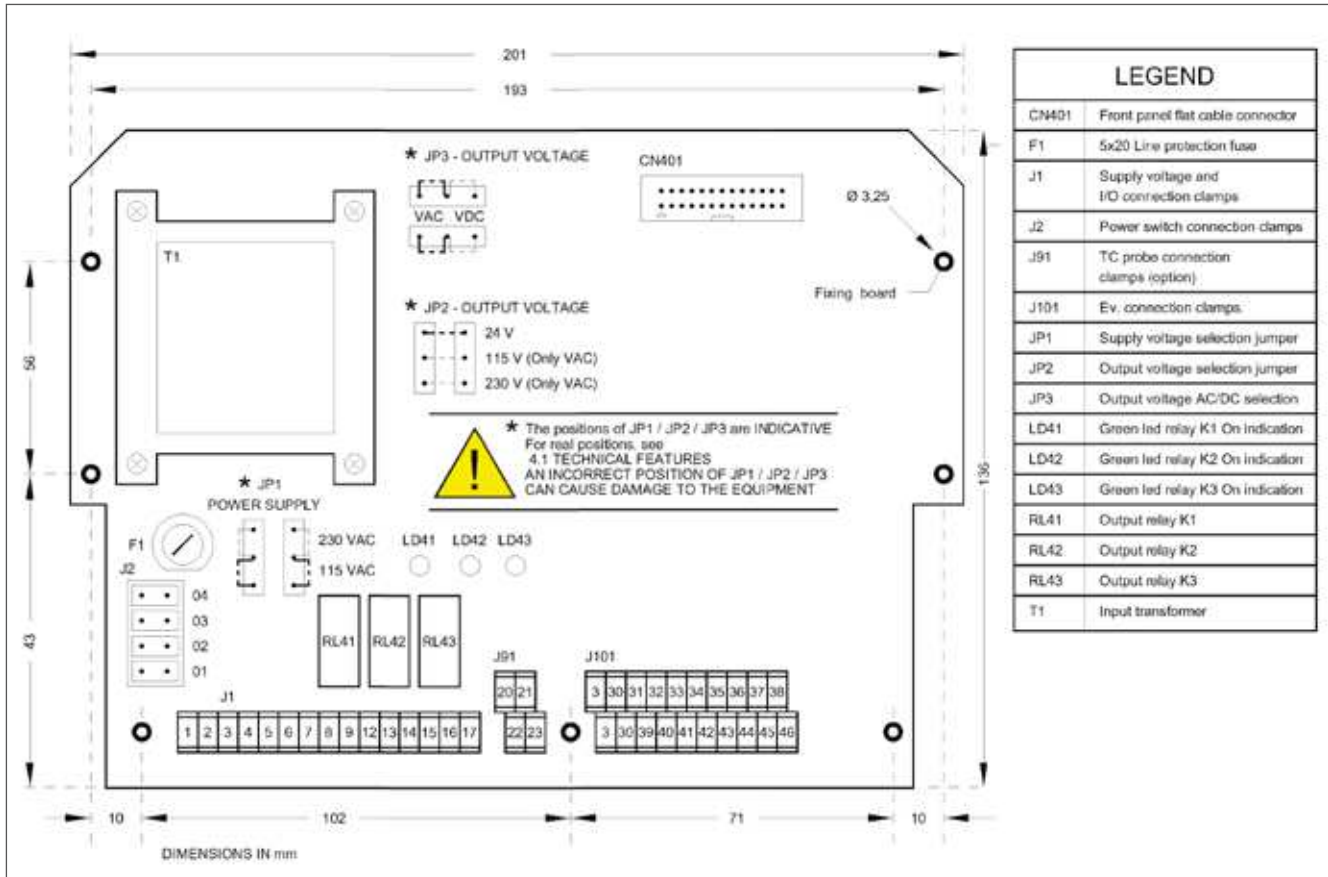
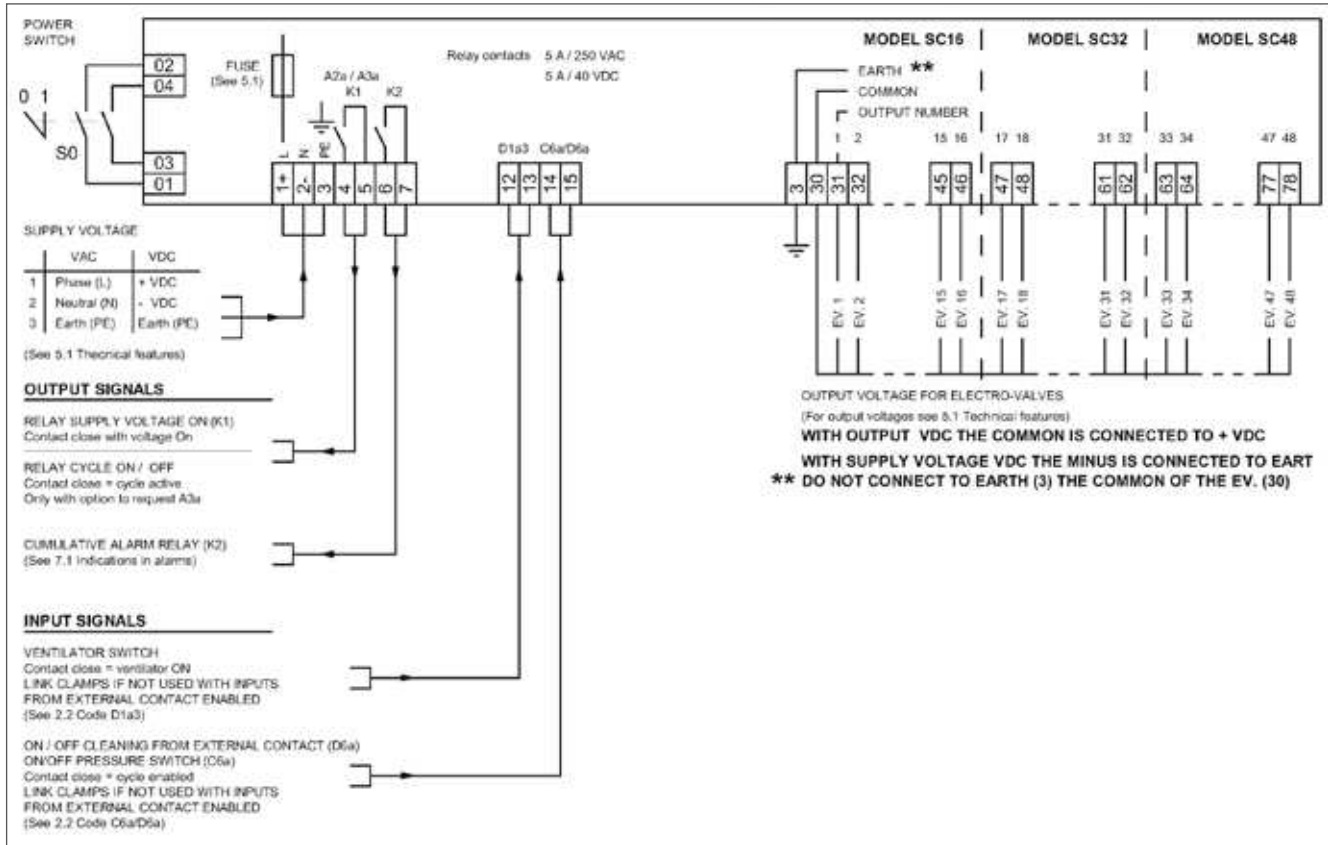


DIMENSIONS (mm), WEIGHTS

Size 3



WIRING DIAGRAM





SEQUENCERS FOR DUST COLLECTOR SYSTEMS

ΔP control via internal pressure sensor
for the control of up to 48 solenoid valves



Series
E909

FEATURES

- Electronic controller for the control of solenoid valves in dust collector systems
- Integral ΔP sensor for ON/OFF filter cleaning cycles
- Microprocessor management
- Standard supply voltage and output voltage selectable via jumper
- 3 programming keys
- 3 digit LED display
- Adjustable pulse and interval times
- Automatic detection of number of valves
- Additional post-cleaning cycle mode
- High immunity from external interference
- Short-circuit protection of every single output
- 1 output relay (e.g. group alarm), 2 digital inputs (volt-free)



CONSTRUCTION

Housing ABS (acryl nitrile butadiene styrene), grey
Cover PC (polycarbonate), transparent

ELECTRICAL CHARACTERISTICS

Standard supply voltage AC (~) 230/115 V

Output voltage DC (=) 24 V

Other voltages on request.

max. load power per output (W)	ambient-temperature (°C)	electrical enclosure protection
25	-10 to 60	IP65

SPECIFICATIONS

number of solenoid valves	adjustable pulse time	adjustable interval time	tube connection for ΔP sensor	size	catalogue number			
	sec.	sec.	Ø mm					
4	0,05 - 5,0	1 - 999	6/4	1	E909BB4MU1.3			
8					E909BB8MU1.3			
12					E909BB12MU1.3			
16					E909BB16MU1.3			
20				2	E909BB20MU1.5			
24					E909BB24MU1.5			
28					E909BB28MU1.5			
32				3	E909BB32MU1.5			
36					E909BB36MU1.6			
40					E909BB40MU1.6			
44					E909BB44MU1.6			
48								E909BB48MU1.6

60303GB-2016/R01
Availability, design and specifications are subject to change without notice. All rights reserved.

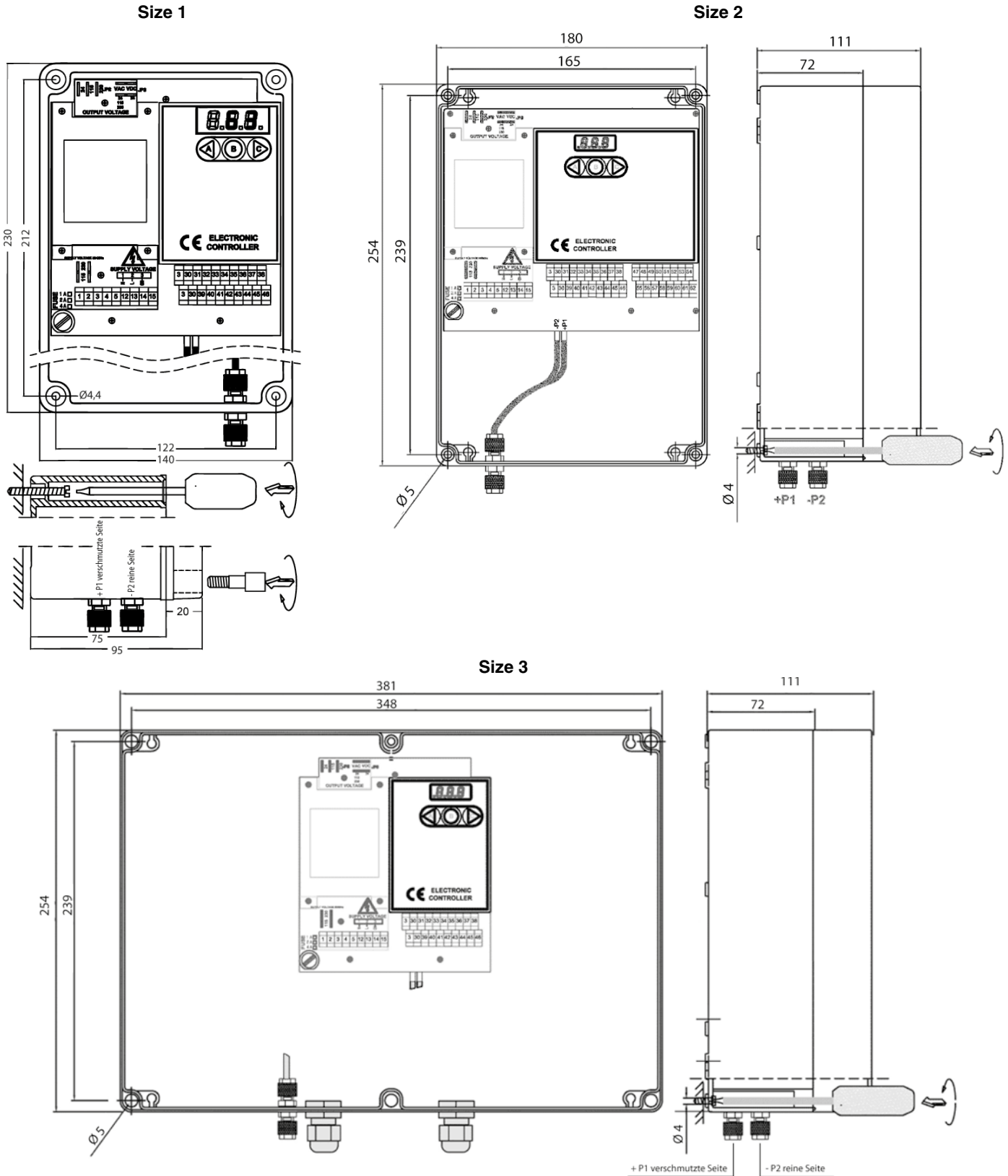
OPTIONS (on request)

- Other voltage ratings, other housings and devices with ATEX approval

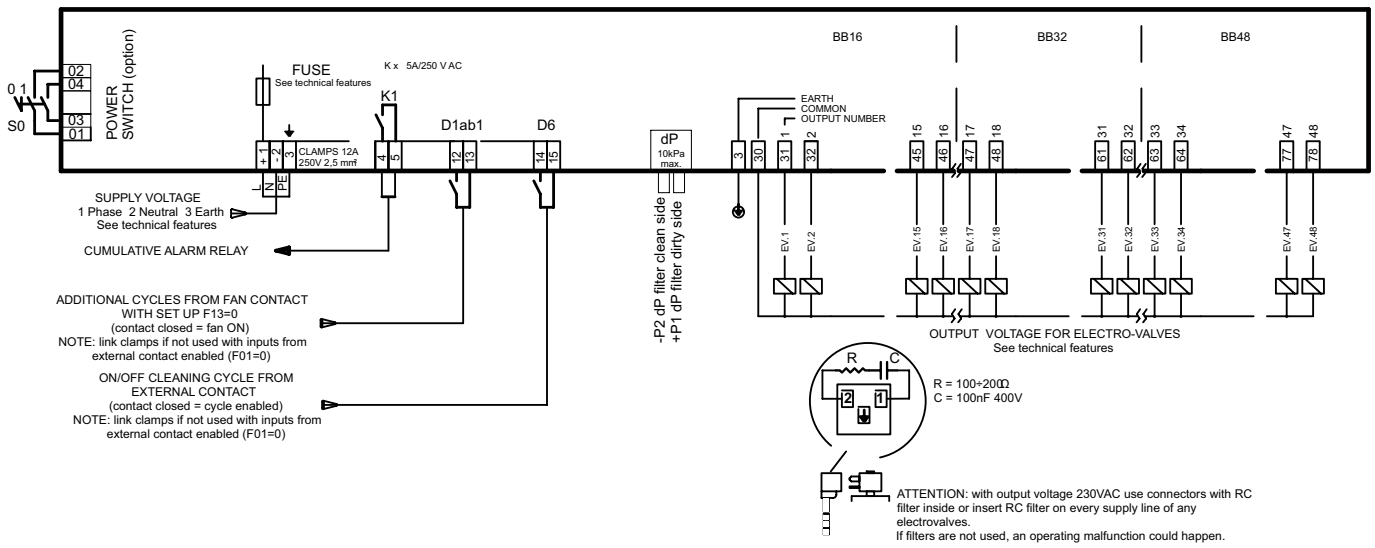
INSTALLATION

- Installation/maintenance instructions are included with each sequencer

DIMENSIONS (mm), WEIGHTS



WIRING DIAGRAM



60303GB-2013/R01
Availability, design and specifications are subject to change without notice. All rights reserved.