

Specifications

For other materials or modifications, please consult TESCO.

OPERATING PARAMETERS

Pressure rating per criteria of ANSI/ASME B31.3

Maximum Controllable Inlet Pressure

10,000 psig / 690 bar

Design Proof Pressure

150% maximum rated

Leakage

Internal & external: Bubble-tight

Operating Temperature

-15°F to 140°F / -26°C to 60°C

Flow Capacity

$C_v = 0.08$

MEDIA CONTACT MATERIALS

Body

316L Stainless Steel

Bonnet

300 Series Stainless Steel

Seat

PCTFE, Polyimide (Vespel® SP21), PEEK, 17-4 hardened Stainless Steel

Remaining Parts

300 Series Stainless Steel

Inlet & Outlet Port Type

NPTF and Medium Pressure

Inlet and Outlet Port Size

1/4", 3/8"

Weight

6 lbs / 2.7 kg

Teflon®, Kalrez®, Vespel® and Viton® are registered trademarks of E.I du Pont de Nemours and Company.



TESCOM 54-3500 two-stage hydraulic back pressure regulator reduces the controlled inlet pressure in 2 steps. The integrated second stage is self loading and adjusts itself to 50% of the inlet pressure, regardless if the unit is spring, air or dome loaded. This reduction of differential pressure per stage significantly reduces the destructive force of erosion and cavitation. A wide range of soft goods and valve trim materials, including ceramic option, allow for media specific regulator selection.

Applications

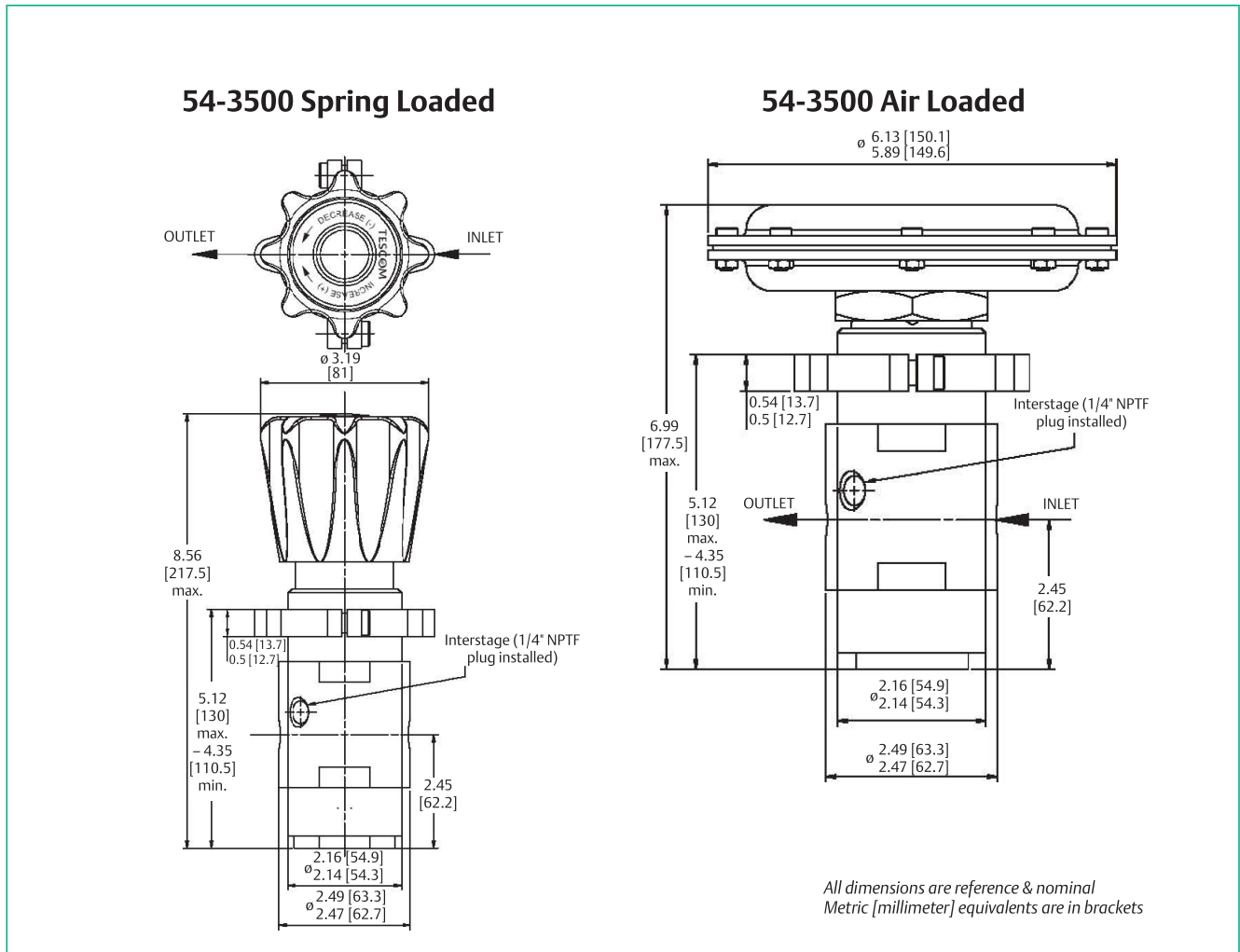
- High Pressure Hydraulic test benches
- Injection Valve Manufacturing & Testing
- Supercritical media applications
- Chemical injection

Features and Benefits

- Longer lifetime than single stage solutions by reduced erosion and cavitation
- Lower cost of ownership
- Proven Tescom valve trim modules with many options available

54-3500 SERIES

54-3500 Series Regulator Drawing



Repair Kits, Accessories & Modifications may be available for this product. Please contact TESCOM for more information.

Example for selecting a part number :

A = Air Loaded
D = Dome Loaded
S = Spring Loaded

54-35 6 1 T 2 4 A 1 5 0

BASIC SERIES	MATERIAL	INLET PRESSURE	SOFT GOODS MATERIAL		INLET OUTLET PORT TYPE	INLET OUTLET PORT SIZE	FLOW CAPACITY	SEAT MATERIAL	GAUGE PORT OPTIONS	MOD
			O-RING	BACK-UP RING						
54-35	6 - Stainless Steel	1 - 200 - 10000 psig 14 - 690 bar 2 - 50 - 6000 psig 3.4 - 414 bar	B - Nitrile, Buna-N T - FKM (Viton®-A) U - Urethane V - FFKM, Perfluoroelastomer (Kalrez®) Z - EP	PTFE PTFE PTFE PTFE	2 - NPTF 6 - Medium Pressure	4 - 1/4" 6 - 3/8"	1 - Cv = 0.08	0 - PCTFE 5 - 17-4 Stainless Steel 7 - Polyimide (VespeI® SP1) 8 - PEEK	0 - NONE	001 - Ceramic Stem