

Specifications

For other materials or modifications, please consult TESCOM.

OPERATING PARAMETERS

Pressure rating per criteria of ANSI/ASME B31.3

Maximum Inlet Pressure

15,000, 20,000 psig / 1034, 1379 bar

Maximum Outlet Pressure

300-15,000 psig / 20.7-1034 bar

300-20,000 psig / 20.7-1379 bar

Design Proof Pressure

150% maximum rated

Leakage

2 drops/min. at 150 S.U.S and 2500 psig / 172 bar

Operating Temperature

-15°F to 165°F / -26°C to 74°C

Flow Capacity

$C_v = 0.06, 0.12$

MEDIA CONTACT MATERIALS

Body

316 Stainless Steel, Nitronic 60

Seat, Main Valve, Vent

17-4 PH Stainless Steel

O-Ring

Nitrile, Buna-N, FKM (Viton®-A)

Back-up Ring

PCTFE

Remaining Parts

300 Series Stainless Steel, 17-4 PH Stainless Steel and Nitronic 60

OTHER

Cleaning

CGA 4.1 and ASTM G93

Weight (approximate)

20 lbs / 9.1 kg

Viton® is a registered trademark of E.I. du Pont de Nemours and Company.



TESCOM 50-2200 Series pressure reducing regulator is specifically designed for extended life operation in high pressure hydraulic applications.

Applications

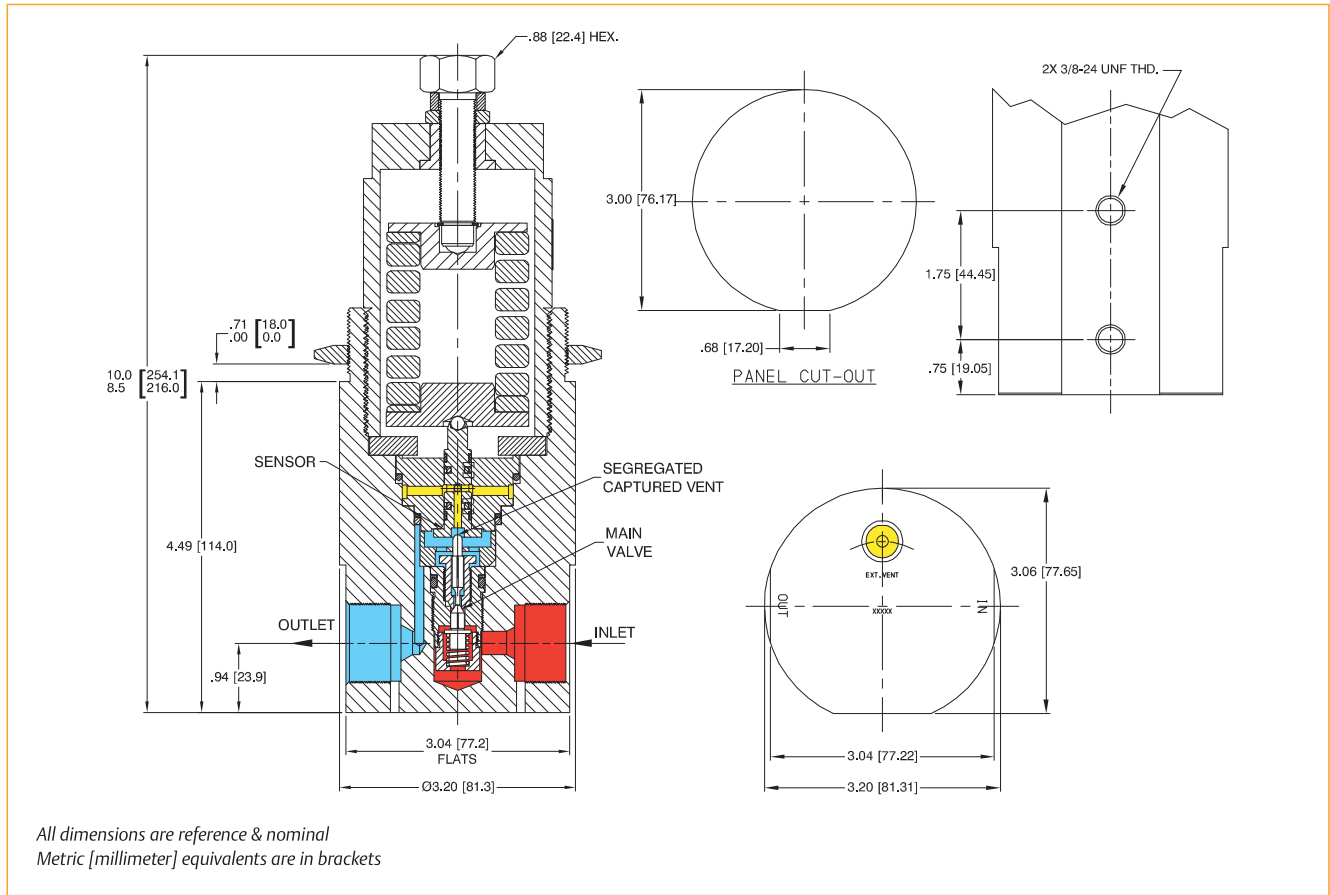
- Wellhead control panels
- Subsea valve actuation
- Chemical injection
- Hydraulic Power Units (HPU)

Features and Benefits

- New stem and seal design extends service life in crucial high pressure water-based hydraulic applications
- Specially designed seat and valve for excellent operation in hydraulic applications
- Segregated captured venting
- Tapered poppet design for better pressure control

50-2200 SERIES

50-2200 Series Regulator Drawing



50-2200 Series Regulator Part Number Selector

Repair Kits, Accessories & Modifications may be available for this product. Please contact TESCOM for more information.

Example for selecting a part number:

| BASIC SERIES | MAXIMUM INLET PRESSURE ¹ (BODY MATERIAL) | MAXIMUM OUTLET PRESSURE | SOFT GOODS MATERIAL | | | INLET AND OUTLET PORT TYPE (VENT PORT) | INLET AND OUTLET PORT SIZE | FLOW CAPACITY | MAIN VALVE AND VENT SEAT | GAUGE PORT OPTIONS |
|-----------------------------------------------------------------------------------------------------------------------------------------|------------------------------------------------------------------------------------------|------------------------------------------------------------------------------|-------------------------------------------------|-----------------------------------------|----------------|------------------------------------------------------------------------|-----------------------------------|--------------------------------------------------------|-----------------------------|-------------------------------------------------------|
| | | | DYNAMIC ROTO-SEALS | STATIC O-RINGS | BACK-UP RINGS | | | | | |
| 50-22 | 9 – 15,000 psig 1034 bar (316 SST) N – 20,000 psig 1379 bar (Nitronic 60) | 0 – 300-15,000 psig 20.7-1034 bar 9 – 300-20,000 psig 20.7-1379 bar | D – Nitrile, Buna-N T – FKM (Viton®-A) | Nitrile, Buna-N FKM (Viton®-A) | PCTFE PCTFE | 4 – High Pressure (1/4" NPTF) 6 – Medium Pressure (1/4" NPTF) | 4 – 1/4" 6 – 3/8" 9 – 9/16" | 2 – C _V = 0.06 3 – C _V = 0.12 | 5 – 17-4 Stainless Steel | 0 – No gauge ports 5 – One outlet gauge at 90° |
| <p>1. Pressure at which regulator is used must be compatible with the pressure rating of the regulator and port size/type provided.</p> | | | | | | | | | | |