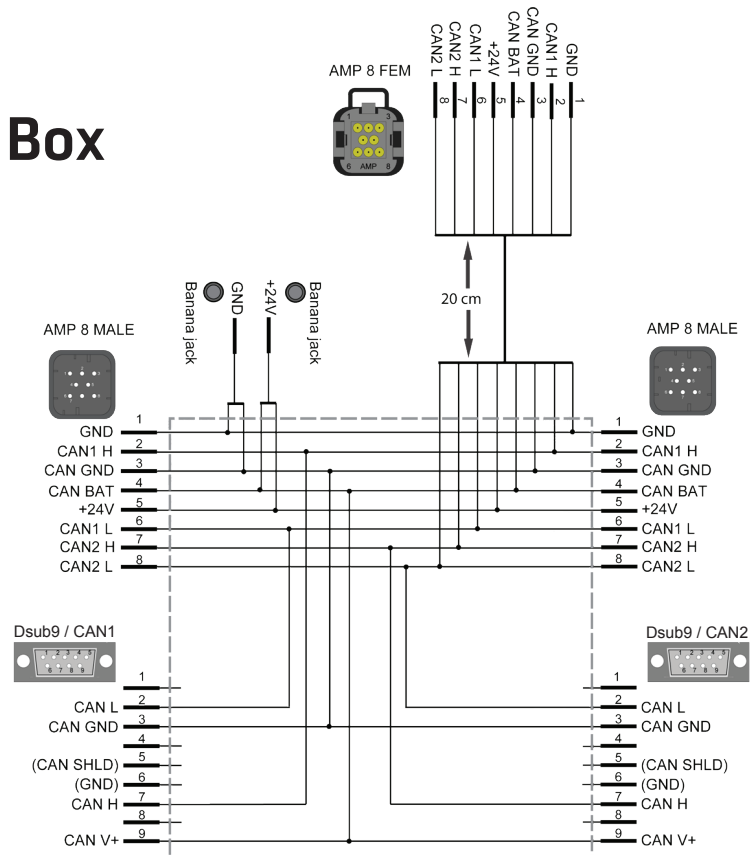


Epec 3500 CAN Adapter Box

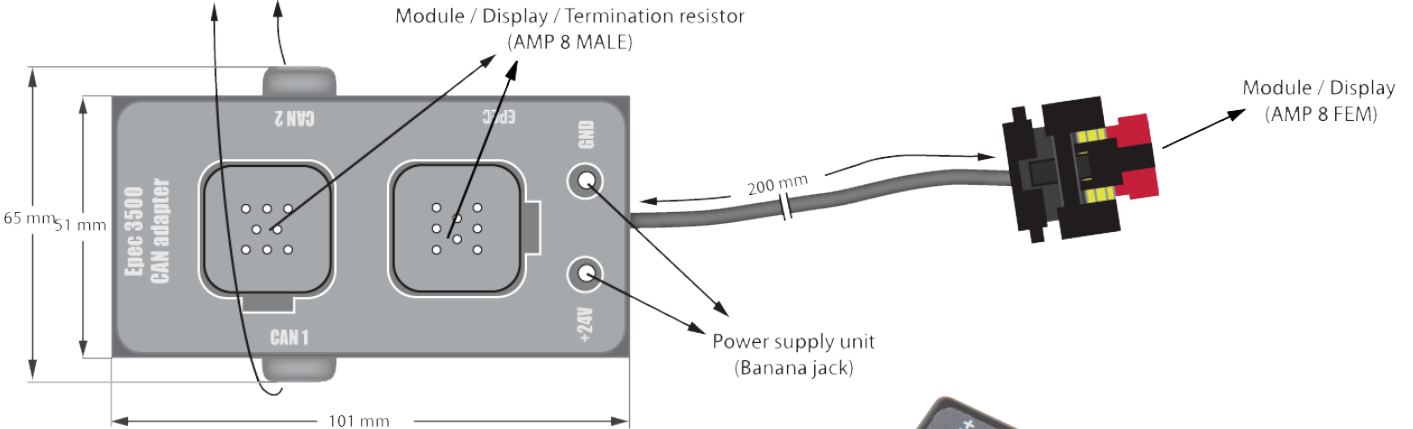
DATA SHEET

This easy to use connector adapter is meant for system developers. It provides a connection for both CAN1 and CAN2 via AMP8 and Dsub9 connectors. 3500 CAN Adapter box is used for connecting the power supply to control units and displays, and to connect PC's CAN bus adapter into a CAN network or vice versa.

The power supply is connected to adapter's banana connectors and PC's CAN card is connected to adapter's Dsub9 connectors. Adapter's AMP8 FEM connector is connected to control unit's or display's AMP8 connector.



Connect to PC with USB-CAN adapter /
Connect to CAN devices (such as sensors, valves, modules)
(Dsub9 FEM)



TECHNICAL DATA

ORDERING CODE	E3003500
MATERIAL	MOULDED PLASTIC
PROTECTION CLASS	IP30
OPERATING TEMPERATURE	-20 ... +50°C
CONNECTORS	2 AMP8 MALE CONNECTORS 2 DSUB9 FEM CONNECTORS 1 AMP8 FEM CONNECTOR (FOR MODULE/DISPLAY CONNECTION) 2 BANANA FEM CONNECTORS (FOR POWER SUPPLY)

