

On/Off and Shut-off Valves

D30XX0555X012

Specifications*For other materials or modifications, please consult TESCO.***OPERATING PARAMETERS***Pressure rating per criteria of ANSI/ASME B31.3***Maximum Inlet Pressure**6000, 10,000 psig
414, 690 bar**Design Proof Pressure**

150% maximum rated

Leakage

Bubble-tight

Ambient Operating and Fluid Temperature

-40°F to 165°F / -40°C to 74°C

Flow Capacity

See table on back page

Maximum Operating Torque

See table on back page

MEDIA CONTACT MATERIALS**Body**

316 Stainless Steel

Seat**30-1100 and 30-1300:** Filled Nylon (Nylatron®)**30-1200 and 30-1400:** PCTFE**O-Ring**

Nitrile, Buna-N

Back-up Ring**30-1100:** PCTFE**30-1200:** 15% graphite filled Teflon®**30-1300 and 30-1400:** PTFE**Remaining Parts**

316 Stainless Steel, 17-4 PH Stainless Steel

OTHER**Cleaning**

CGA 4.1 and ASTM G93

Weight

See table on back page

Teflon® is a registered trademark of E.I. du Pont de Nemours and Company.

30-1100



30-1300



30-1200



30-1400

TESCOM 30 Series shut-off valves are high pressure, high flow applications up to 10,000 psig / 690 bar and offer $C_v = 0.28-20.0$. The 30 Series offer globe and angle pattern bidirectional flow, soft seat and built-in metallic stop.

Applications

- GSE support pressure panels
- Instrumentation pressure panels and manifolds
- Research and Development labs
- Gas analysis sampling systems

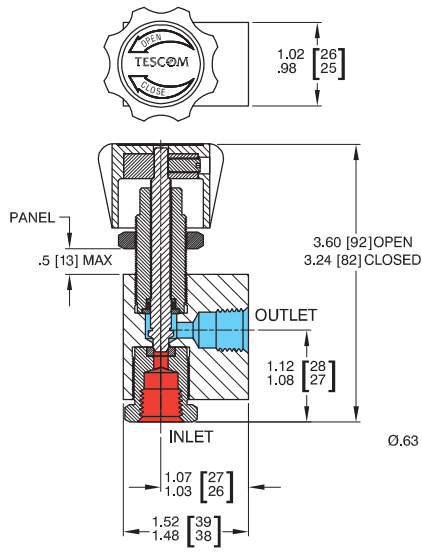
Features and Benefits

- 6000 and 10,000 psig / 414 and 690 bar capability
- $C_v = 0.28$ through 20.00
- Globe or angle configuration
- Port sizes available from 1/4" to 1-1/2"
- Low operating and shut-off torque at high pressures
- Bidirectional liquid or gas service
- Soft seat insures bubble-tight shutoff

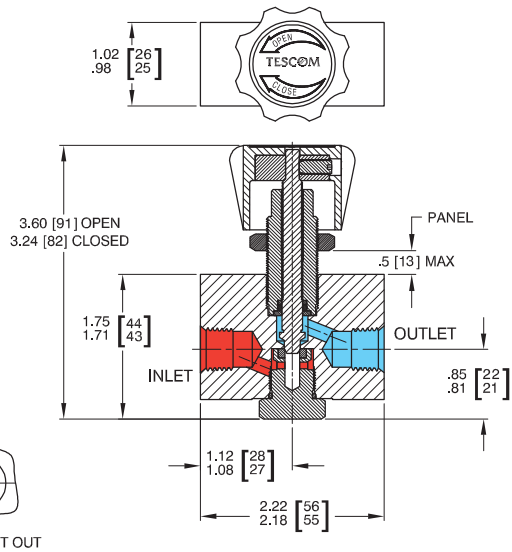
30 SERIES

30 Series Valves Drawing

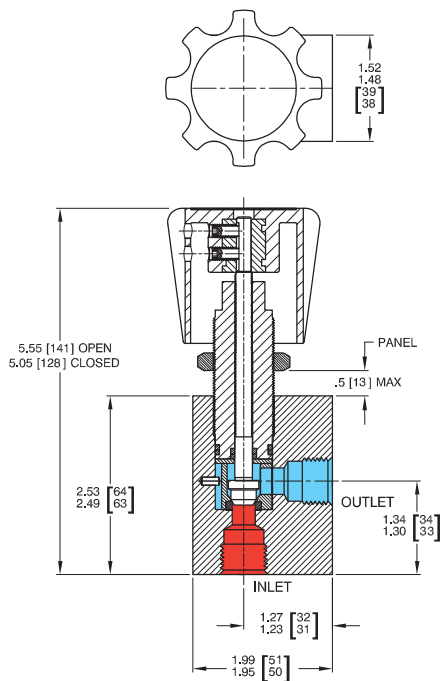
30-1100 ANGLE PATTERN



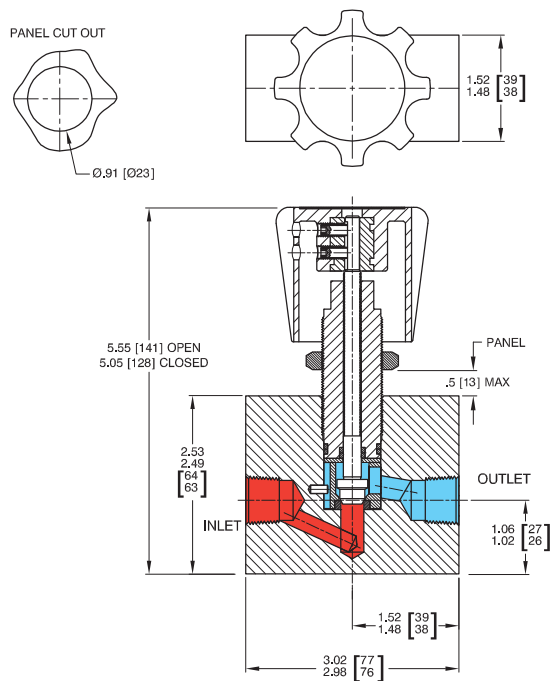
30-1101 GLOBE PATTERN



30-1300 ANGLE PATTERN



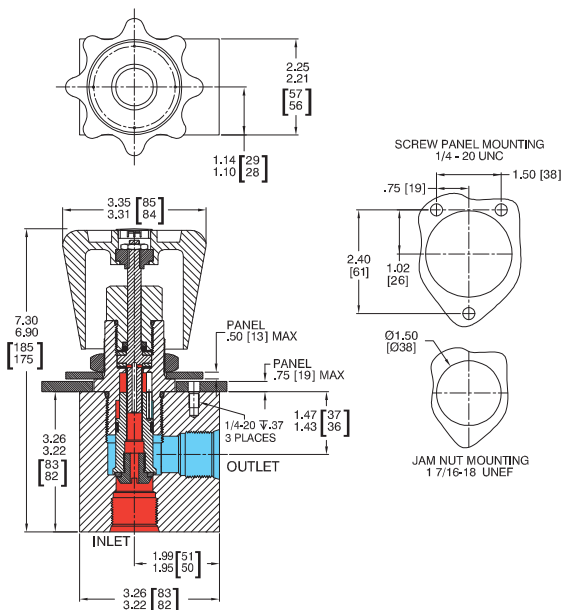
30-1301 GLOBE PATTERN



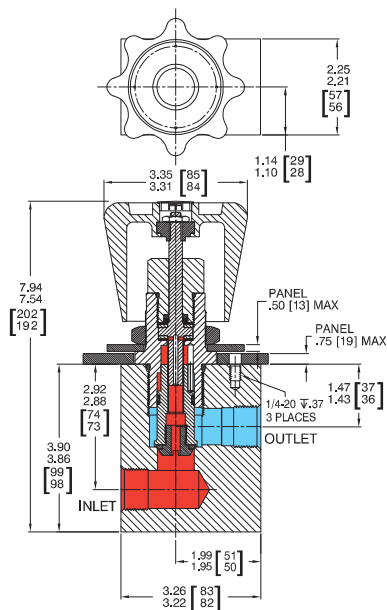
All dimensions are reference & nominal
Metric [millimeter] equivalents are in brackets

30 Series Valves Drawing

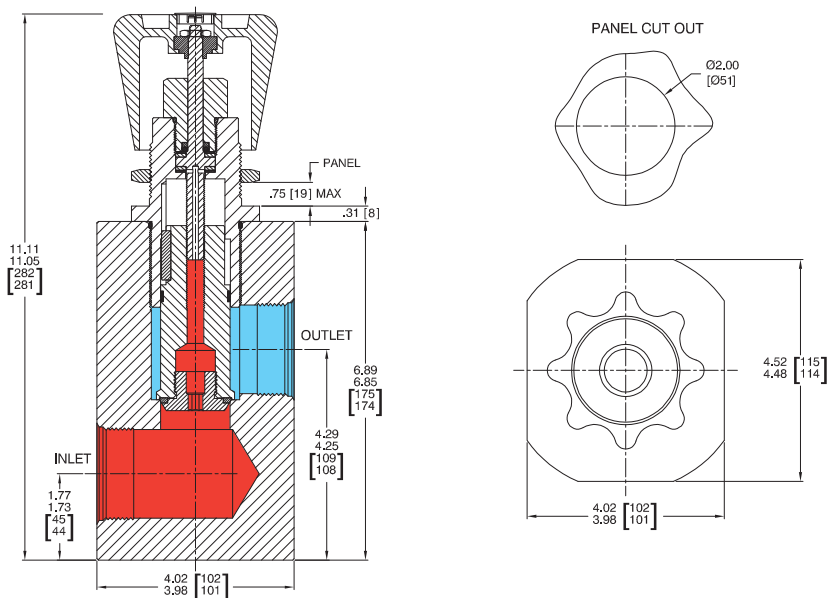
30-1200 ANGLE PATTERN



30-1201 GLOBE PATTERN



30-1400 GLOBE PATTERN



All dimensions are reference & nominal
Metric [millimeter] equivalents are in brackets

30 SERIES

30 Series Valves Part Number Selector

Repair Kits, Accessories & Modifications may be available for this product. Please contact TESCOM for more information.

Example for selecting a part number:

| 30-11 | 0 | 1 | - | 2 | 04 |
|----------------------------------------------------------------------------------------------------------------------------------------------------------------------------------------------------------------------|----------------------------------------------------------------------------------|---------------------------------------------------|---|-------------------------------------------------------------------------------------------------------------------------------------------------------------|---------------------------------------------------------------------------------------------------------------------------------------------------------------------------------------------------------|
| BASIC SERIES | VALVE STEM TYPE | PATTERN TYPE | | INLET AND OUTLET PORT TYPE | INLET AND OUTLET PORT SIZE |
| 30-11 – 30-1100 10,000 psig 690 bar 30-12 – 30-1200 6000 psig 414 bar 30-13 – 30-1300 10,000 psig 690 bar 30-14 – 30-1400 6000 psig 414 bar | 0 – Shut-off (Standard) 1 – Metering (optional on 30-1100 only) | 0 – Angle ² 1 – Globe | | 0 – BSP ¹ 1 – SAE ² 2 – NPTF ² 3 – MS33649 6 – Medium Pressure ¹ | 04 – 1/4" (30-1100) 06 – 3/8" (30-1100 ³ , 30-1300) 08 – 1/2" (30-1300) 12 – 3/4" (30-1200) 16 – 1" (30-1200) 24 – 1-1/2" (30-1400) |
| 1. Available on 30-1100 only 2. Not available on 30-1400 3. Available in Globe Pattern only | | | | | |

| SERIES | PATTERN | C _v | WEIGHT | CONTROL TORQUE |
|----------------------------|----------------|----------------|--------------------------------------|--------------------------------------------|
| 30-11X1-XXX 30-11X0-XXX | Globe Angle | 0.28 0.49 | 1 lb / 0.5 kg 3/4 lbs / 0.3 kg | 15 in-lbs / 1.7 N•m 15 in-lbs / 1.7 N•m |
| 30-1301-XXX 30-1300-XXX | Globe Angle | 1.57 2.30 | 3-1/4 lbs / 2 kg 2-1/4 lbs / 1 kg | 25 in-lbs / 2.8 N•m 25 in-lbs / 2.8 N•m |
| 30-1201-XXX 30-1200-XXX | Globe Angle | 8.00 10.00 | 8 lbs / 4 kg 7-1/4 lbs / 3 kg | 35 in-lbs / 4.0 N•m 35 in-lbs / 4.0 N•m |
| 30-1400-XXX | Globe | 20.00 | 30 lbs / 14 kg | 35 in-lbs / 4.0 N•m |