

FLOW SWITCH

UR1

UR1-010GM
Flow-bryter 3/8" 2,5-3,5 l/m

- 2,5 - 53 l/min vann
- G3/8" - G2"
- Maks. trykk 25 bar
- Forniklet messing



PRODUKTBESKRIVELSE

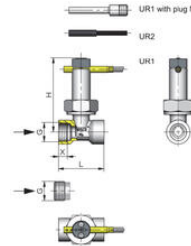
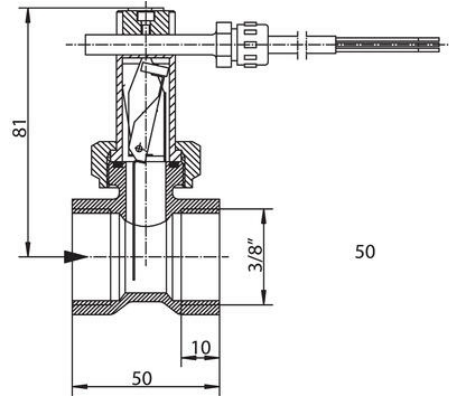
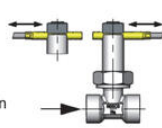
Modell UR1 er en mekanisk flow switch med separat elektronikk, som kan være sluttende eller brytende. Bryteren fås i forniklet messing, rustfritt stål eller plast.

TEKNISKE DATA

Flow maks.	10 l/min
IP-klasse	IP65
Kontaktbelastning maks.	50 A
Materiale blad	SS301
Materiale bryterhus	Hard ferritt
Materiale hus	Forniklet messing, SS303
Materiale medieberørte deler	Forniklet messing, Rustfritt stål, Hard ferritt, NBR
Materiale tetninger	NBR
Materiale tilkobling	Forniklet messing
Mediatemperatur fra	20 °C
Mediatemperatur til	110 °C
Spenning AC maks.	230 V
Trykkområde maks.	25 bar
Type of flow component	Flowkontakter
Vekt	0,35 kg

Adjustment

UR1 - loosen bolts, push the switching current tube into the desired position. Retighten the bolts. Normally closed (n.c.) or normally open (n.o.) as per table "Technical data"

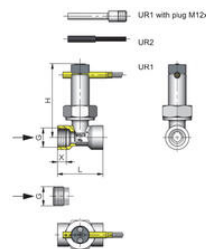
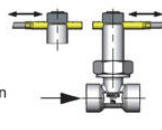


Dimensions and weights

G	Types	H	L	X	Weight kg
G 1/2	UR-010GM	62	50	10	UR1
	UR-010GK				UR2
G 1/2 A	UR-015GM	60	12		0.35 0.35
	UR-015GK				0.40 0.40
G 1/2	UR-015GM	60	12	10	0.35 0.30
	UR-015GK				0.15 0.15
G 1/2	UR-020GM	63	12	12	0.35 0.30
	UR-020GK				0.40 0.40
G 1	UR-025GM	87			0.40 0.40
	UR-025GK				0.45 0.45
G 1 1/4	UR-032GM	91			0.40 0.40
	UR-032GK				0.50 0.50
G 1 1/2	UR-040GM	94			0.55 0.55
	UR-040GK				0.65 0.65
G 2	UR-050GM	103			0.80 0.75
	UR-050GK				0.95 0.95

Adjustment

UR1 - loosen bolts, push the switching current tube into the desired position. Retighten the bolts. Normally closed (n.c.) or normally open (n.o.) as per table "Technical data"



Dimensions and weights

G	Types	H	L	X	Weight kg
G 1/2	UR-010GM	62	50	10	UR1
	UR-010GK				UR2
G 1/2 A	UR-015GM	60	12		0.35 0.35
	UR-015GK				0.40 0.40
G 1/2	UR-015GM	60	12	10	0.35 0.30
	UR-015GK				0.15 0.15
G 1/2	UR-020GM	63	12	12	0.35 0.30
	UR-020GK				0.40 0.40
G 1	UR-025GM	87			0.40 0.40
	UR-025GK				0.45 0.45
G 1 1/4	UR-032GM	91			0.40 0.40
	UR-032GK				0.50 0.50
G 1 1/2	UR-040GM	94			0.55 0.55
	UR-040GK				0.65 0.65
G 2	UR-050GM	103			0.80 0.75
	UR-050GK				0.95 0.95