

FOTPEDALER SERIE F

606.1100.005

Fotbryter 1-pedal F1-U1Z

- Standard industrifotpedal
- Robust utførelse i metall
- IP65
- 1-, 2- eller 3-pedaler



PRODUKTBESKRIVELSE

TEKNISKE DATA

Antall pedaler	1
B10d	20x10^6
Godkjenninger	CCC, CE, CSA US
IP-klasse	IP65
Kabelinngang	3xM20x1,5
Kontakttype	1 NO, 1 NC
Manøverfrekvens maks.	50 ganger/min
Materiale hus	Aluminium
Materiale pedal	Plast
Spenning maks.	240 V
Temperaturområde fra	-30 °C
Temperaturområde til	80 °C
Termisk merkestrøm	10 A

Standard values for safety technology

EN 60959-1
 4 x 10⁶ Restrictions in article designation "C"
 2 x 10⁶ Restrictions in article designation "D"
 4 x 10⁶ Restrictions in article designation "E"
 1 x 10⁶ Restrictions in article designation "Z"

*Once a restriction is reached, the lowest value must be applied.

This technical data is given in our standard four-cable range, please refer to individual technical data sheets for exact product information as the technical data above may vary.

Standards

IEC 60947-5-1, DIN EN 60947-5-1, IEC 60947-5-1

IEC 60671, DIN EN 60671-1, IEC 60671-1

IEC 60672, DIN EN 60672-1, IEC 60672-1

IEC 60673, DIN EN 60673-1, IEC 60673-1

IEC 60674, DIN EN 60674-1, IEC 60674-1

IEC 60675, DIN EN 60675-1, IEC 60675-1

IEC 60676, DIN EN 60676-1, IEC 60676-1

IEC 60677, DIN EN 60677-1, IEC 60677-1

IEC 60678, DIN EN 60678-1, IEC 60678-1

IEC 60679, DIN EN 60679-1, IEC 60679-1

IEC 60680, DIN EN 60680-1, IEC 60680-1

IEC 60681, DIN EN 60681-1, IEC 60681-1

IEC 60682, DIN EN 60682-1, IEC 60682-1

IEC 60683, DIN EN 60683-1, IEC 60683-1

IEC 60684, DIN EN 60684-1, IEC 60684-1

IEC 60685, DIN EN 60685-1, IEC 60685-1

Approvals*

CCC, A-S, C-200 (name priority)

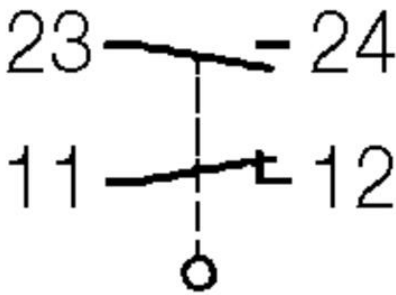
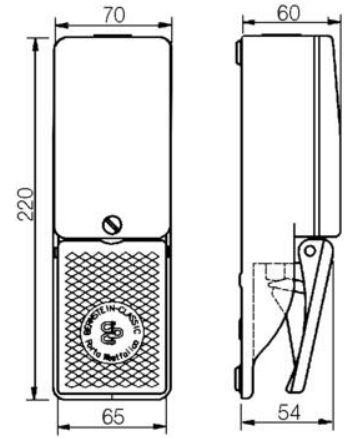
UL, ENEC (in type designation "Z")

CCC, C-200 (name priority)

* Approvals depend on type.

More information can be found in the data sheet.

Mechanical data	
Enclosure	Cast aluminium (powder-coated)
Cover, Protective shroud UN	Cast aluminium (powder-coated)
Foot pedal	Thermoplastic
Operating temperature (with no icing / no condensation)	-30°C to +80°C (-20°C to +180°C in type designation "XT")
Storage temperature	-30°C to +80°C (-20°C to +180°C in type designation "XT")
Mechanical service life	> 1 x 10 ⁶ switching cycles when using switches with potentiometer 1 x 10 ⁶
Switching frequency	50 min* when using switches with potentiometer 20 min*
Type of connection	Screw connections (M3.5)
Conductor cross sections	Single wire 0.5 - 1.5 mm ² or stranded wire with female 0.5 - 1.5 mm ²
Cable entry	M20 x 1.5
Weight with cover	F1 = 0.8 kg, F2 = 1.1 kg, F3 = 1.5 kg
Weight with protective shroud UN	F1 = 1.3 kg, F2 = 2.4 kg, F3 = 3.4 kg
Protection class	Protection class depends on type. Standard is IP 65.



Standard values for safety technology	
IP64	20 x 10°
	1 x 10° Restrictions in article designation "X" *
	2 x 10° Restrictions in article designation "Y" *
	4 x 10° Restrictions in article designation "Z" *
	1 x 10° Restrictions in article designation "Z" *

* Once a restriction exists, the lowest value needs to be applied.

This technical data is generic to our standard foot switch range, please refer to individual technical data sheets for exact product information as the technical data above may vary.

Standards	
VDI 6660 T100, DIN EN 60947-1, IEC 60947-1	
VDI 6660 T100, DIN EN 60947-5-1, IEC 60947-5-1	

Approvals*	
CECAD, ATEX, Q200 (same polarity)	
UL, ENEC (in type designation "CS")	
DSG (DSG switches that have an appropriate label)	

* Approvals depend on type. More information can be found in the data sheet.

Mechanical data	
Enclosure	Cast aluminium (powder-coated)
Cover, Protective shroud UN	Cast aluminium (powder-coated)
Foot pedal	Thermoplastic
Operating temperature (with no icing / no condensation)	-30°C to +80°C (-20°C to +180°C in type designation "XT")
Storage temperature	-30°C to +80°C (-20°C to +180°C in type designation "XT")
Mechanical service life	> 1 x 10 ⁶ switching cycles when using switches with potentiometer 1 x 10 ⁶
Switching frequency	50 min* when using switches with potentiometer 20 min*
Type of connection	Screw connections (M3.5)
Conductor cross sections	Single wire 0.5 - 1.5 mm ² or stranded wire with female 0.5 - 1.5 mm ²
Cable entry	M20 x 1.5
Weight with cover	F1 = 0.8 kg, F2 = 1.1 kg, F3 = 1.5 kg
Weight with protective shroud UN	F1 = 1.3 kg, F2 = 2.4 kg, F3 = 3.4 kg
Protection class	Protection class depends on type. Standard is IP 65.