

SERIE ER5K

Trykkkontrollsystem

ER5K
ER5K-serien

- Maks inngangstrykk: 241 bar
- Maks utgangstrykk: 690 bar
- Strømkrav: 90–264 VAC
- Settpunkter: 4–20 mA, 1–5 VDC, RS485, USB
- Protokoller: USB, RS485



ER5K Series
Enclosure Assembly



ER5K Series
Plate Assembly

PRODUKTBESKRIVELSE

Spar tid og kostnader ved installasjon

Sett (montert på plate eller i kapsling) inneholder:

- ER5000FI-1
- Trykkreuserende regulator: flow booster, DK kuppelbelastet, DK luftbelastet eller 26-2000 luftbelastet

eller

Back pressure regulator

- 54-2100 luftbelastet eller 26-1700 luftbelastet
- 4–20 mA tilbakemeldingstransduser med 0,125 % nøyaktighet
- ER forsyningsregulator med sikkerhetsventil
- Alle tilkoblinger og fittings
- Elektrisk koblingsboks

Dokumentasjonspakker inkluderer:

- ER5000 brukerpakke:
- Oppstartsguide
- Programvare og brukermanual
- ER5K kit:
- Driftsmanual
- Tegninger og koblingsskjema

Applikasjoner

- Komponenttesting og utvikling
- Kalibrering og testing av trykksensorer
- Superplastisk forming og metallforming
- Coating-applikasjoner
- Kalibrering av flowmålere
- Kateter- og sprengetesting
- Kontroll av pumpeutløp
- Spreng- og trykktesting
- Trykkontroll i reaktortanker

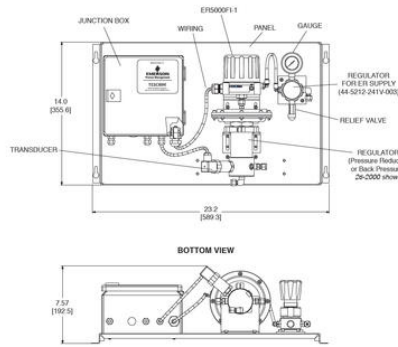
Fordeler

- Komplette automatiserte trykkkontrollsystemer, ferdig montert og testet
- Lukket reguleringsløype for høy nøyaktighet
- TESCOM ERTune™ programvare for oppsett, tuning og datalogging
- Oppstartsveiviser som laster PID-parametere for rask igangkjøring
- Innkapslet ventilering med 26-2000 og DK-serien, egnet for væskeapplikasjoner
- Ventilerende regulator med manometer og sikkerhetsventiler for ER-forsyning

BASIC SERIES	ASSEMBLY	REGULATOR				MAXIMUM CONTROL PRESSURE BY TRANSDUCER		PORTING/TUBING SIZE		O-RING MATERIAL	PORTING/TUBING
		SERIES	BODY	SEAL	CF	bar	psig	mm	INCH		
ERK	I - Parts assembled on plate	A - Flow booster	Zinc	6	100	NBR/EPDM	1.5	12 mm	1/2"	D - NBR/EPDM	A - Metric System
		B - Flow booster	Zinc	6	100	NBR/EPDM	2.2	12 mm	1/2"	D - NBR/EPDM	B - Imperial System
E - Parts assembled in an enclosure	I - Parts assembled in an enclosure	C - DK (Air-boosted)	SST	6	100	PCFTE	0.35	12 mm	1/2"	D - NBR/EPDM	F - FM (O-ring)
		D - DK (Air-boosted)	SST	40	600	PCFTE	0.35	12 mm	1/2"	F - FM (O-ring)	Z - EP (EPDM)
		F - 26-2000	SST	100	1500	PTFE	0.06	6 mm	1/4"		
		G - 26-2000	SST	160	3000	PTFE	0.06	6 mm	1/4"		
		H - 26-2000	SST	400	6000	PTFE	0.06	6 mm	1/4"		
		J - 26-2000	SST	600	10,000	PTFE	0.06	6 mm	1/4"		
		K - 54-2100	SST	100	1500	17-4 SST	0.06	6 mm	1/4"		
		L - 54-2100	SST	160	3000	17-4 SST	0.06	6 mm	1/4"		
		M - 54-2100	SST	400	6000	17-4 SST	0.06	6 mm	1/4"		
		N - 54-2100	SST	600	10,000	17-4 SST	0.06	6 mm	1/4"		
		P - 26-1700	SST	100	1500	PTFE	0.14	6 mm	1/4"		
		R - 26-1700	SST	160	3000	PCFTE	0.10	6 mm	1/4"		
		S - 26-1700	SST	400	6000	PCFTE	0.10	6 mm	1/4"		
		T - 26-1700	SST	600	10,000	PCFTE	0.10	6 mm	1/4"		

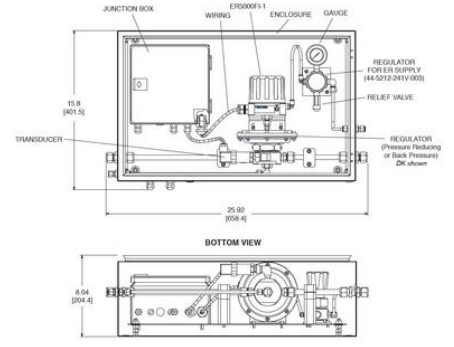
ERK SERIES KIT ASSEMBLED ON PLATE

All dimensions are reference & nominal Metric (millimeter) equivalents are in brackets



ERK SERIES KIT IN AN ENCLOSURE (all components included)

All dimensions are reference & nominal Metric (millimeter) equivalents are in brackets

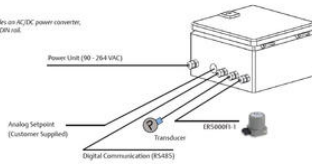


JUNCTION BOX

The junction box is internally wired and includes an AC/DC power converter. Joints and wire terminals (black) are made of an ABS shell.

Footprint: 2.9" x 1.9" (73.0 x 200 mm)

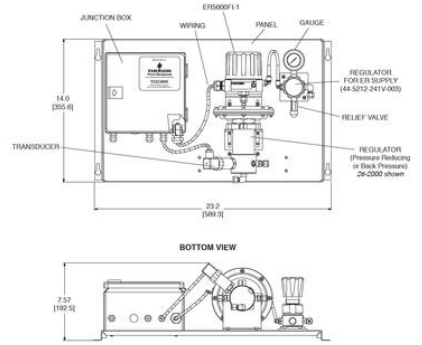
Height: 4.7" (120 mm)



BASIC SERIES	ASSEMBLY	REGULATOR				MAXIMUM CONTROL PRESSURE BY TRANSDUCER		PORTING/TUBING SIZE		O-RING MATERIAL	PORTING/TUBING
		SERIES	BODY	SEAL	CF	bar	psig	mm	INCH		
ERK	I - Parts assembled on plate	A - Flow booster	Zinc	6	100	NBR/EPDM	1.5	12 mm	1/2"	D - NBR/EPDM	A - Metric System
		B - Flow booster	Zinc	6	100	NBR/EPDM	2.2	12 mm	1/2"	D - NBR/EPDM	B - Imperial System
E - Parts assembled in an enclosure	I - Parts assembled in an enclosure	C - DK (Air-boosted)	SST	6	100	PCFTE	0.35	12 mm	1/2"	D - NBR/EPDM	F - FM (O-ring)
		D - DK (Air-boosted)	SST	40	600	PCFTE	0.35	12 mm	1/2"	F - FM (O-ring)	Z - EP (EPDM)
		F - 26-2000	SST	100	1500	PTFE	0.06	6 mm	1/4"		
		G - 26-2000	SST	160	3000	PTFE	0.06	6 mm	1/4"		
		H - 26-2000	SST	400	6000	PTFE	0.06	6 mm	1/4"		
		J - 26-2000	SST	600	10,000	PTFE	0.06	6 mm	1/4"		
		K - 54-2100	SST	100	1500	17-4 SST	0.06	6 mm	1/4"		
		L - 54-2100	SST	160	3000	17-4 SST	0.06	6 mm	1/4"		
		M - 54-2100	SST	400	6000	17-4 SST	0.06	6 mm	1/4"		
		N - 54-2100	SST	600	10,000	17-4 SST	0.06	6 mm	1/4"		
		P - 26-1700	SST	100	1500	PTFE	0.14	6 mm	1/4"		
		R - 26-1700	SST	160	3000	PCFTE	0.10	6 mm	1/4"		
		S - 26-1700	SST	400	6000	PCFTE	0.10	6 mm	1/4"		
		T - 26-1700	SST	600	10,000	PCFTE	0.10	6 mm	1/4"		

ERK SERIES KIT ASSEMBLED ON PLATE

All dimensions are reference & nominal Metric (millimeter) equivalents are in brackets



ERK SERIES KIT IN AN ENCLOSURE (all components included)

All dimensions are reference & nominal Metric (millimeter) equivalents are in brackets

JUNCTION BOX

The junction box is internally wired and includes an AC/DC power converter. Joints and wire terminals (black) are made of an ABS shell.

Footprint: 2.9" x 1.9" (73.0 x 200 mm)

Height: 4.7" (120 mm)

