

MEMBRAN MÅLEVENTIL

DMV-SERIEN
Membran måleventil

- Nominelt trykk: 20 bar
- Flowområde: 0–20 l/min
- Cv: 0,024
- Lekkasjetetthet: $<10^{-9}$ mbar l/s
- Temperaturområde: -20 til 70 °C



PRODUKTBESKRIVELSE

Applikasjoner:

- Kontroll av flow av prosessmedier med høy presisjon
- Laboratorie-, R&D- og analyseapplikasjoner
- Egnet for ECD (Electronic Capture Detector)-applikasjoner

Fordeler

- Presis flowkontroll
- Nesten lineær flowkarakteristikk
- Metall mot metall tetninger
- For gassrenhet opptil 6.0 (99,9999 % renhet)
- Egnet for korrosive gasser
- Rengjort for oksygenapplikasjoner

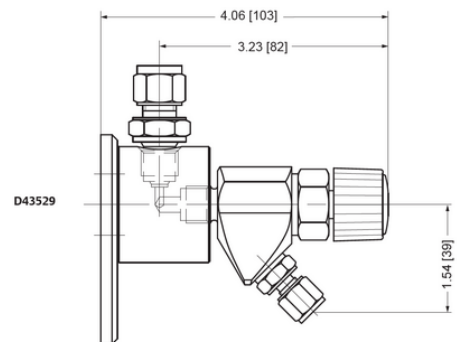
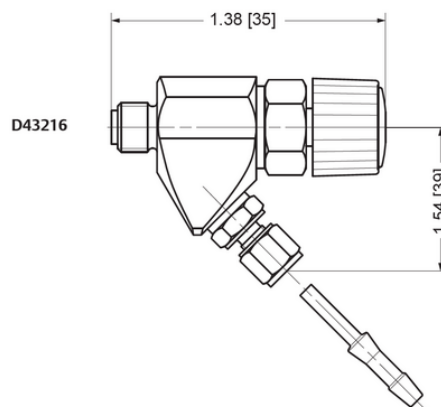
Example for selecting a part number:

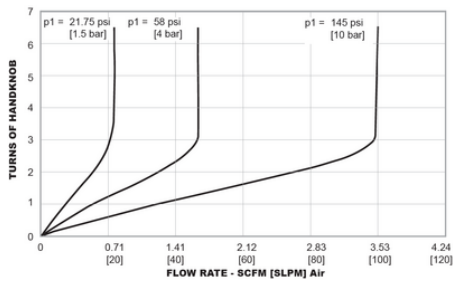
D43215	AR	DS
BASIC SERIES	GAS	OUTLET CONNECTION
D43215 - Brass D43216 - Stainless Steel Inlet Connection - G 1/4" male Standard color of handle knob and cap: Grey Please refer to datasheet "Pneumatic Flow Controller" Gas specific label acc. EN 13762 available on request	AR (BRASS) - Oxygen, all other non-corrosive gases Attention: For CO or test gases including CO, please use Stainless Steel version AK (Stainless Steel) - Corrosive Gases	DS - Without (G 1/8" female) DS - Compression fitting with nozzle 6 mm DS - Compression fitting tube G 1/8" with nozzle

Diaphragm Metering Valve with Wall Mounting Plate - Part Number Selector

Example for selecting a part number:

D43528	AR	D2	E
BASIC SERIES	GAS	OUTLET CONNECTION	INLET CONNECTION
D43528 - Brass D43529 - Stainless Steel	AR (BRASS) - Oxygen, all other non-corrosive gases Attention: For CO or test gases including CO, please use Stainless Steel version AK (Stainless Steel) - Corrosive Gases	D2 - Without (G 1/8" female) D2 - Compression fitting tube G 1/8" D2 - Compression fitting tube G 1/4" D2 - Compression fitting with nozzle 6 mm	E - Without (G 1/8" female) E - Compression fitting tube 8 mm E - Compression fitting tube 10 mm





Example for selecting a part number:

D43215		AR	05
BASIC SERIES	GAS		OUTLET CONNECTION
D43215 - Brass D43216 - Stainless Steel Inlet Connection - C, 1/4" male Standard color of handknob and cap: Gray Please reference distributor's Point of Sale Requirements Gas specific label req. 05 13762 available on request	AR (BRASS) - Oxygen, all other non-corrosive gases Attention: For CO or test gases including CO, please use Stainless Steel version AK (Stainless Steel) - Corrosive Gases		05 - Without GC, 1/8" female 05 - Compression fitting ø 6 mm with inside 6 mm 05 - Compression fitting tube C, 1/4" with nipple*
			*Not available for D43216 Stainless Steel

Diaphragm Metering Valve with Wall Mounting Plate - Part Number Selector

Example for selecting a part number:

D43528		AR	02	E
BASIC SERIES	GAS		OUTLET CONNECTION	INLET CONNECTION
D43528 - Brass D43529 - Stainless Steel	AR (BRASS) - Oxygen, all other non-corrosive gases Attention: For CO or test gases including CO, please use Stainless Steel version AK (Stainless Steel) - Corrosive Gases		02 - Without GC, 1/8" female 02 - Compression fitting tube C, 1/8" C 02 - Compression fitting tube C, 1/4" C 02 - Compression fitting ø 6 mm with nipple 6 mm	E - Without GC, 1/8" female E - Compression fitting ø 6 mm** E - Compression fitting ø 8 mm** E - Compression fitting ø 10 mm**
			*Not available for D43529 Stainless Steel	**Not available for D43528 Brass

