

SERIE 30

Avstengningsventil

30-SERIEN Serie 30

- Maks inngangstrykk: 414, 600 bar
- Temperaturråde: -40 til 74 °C
- Lekkasjetetthet: bobletett
- Cv: 0,28–20,0



30-1100



30-1300



30-1200



30-1400

PRODUKTBESKRIVELSE

Applikasjoner

- Støtteutstyr for bakkeinstallasjoner (GSE)
- Trykklpaneler og manifolder for instrumentering
- Forsknings- og utviklingslaboratorier
- Systemer for prøvetaking og gassanalyse

Fordeler

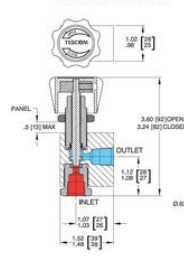
- Kapasitet opptil 6000 og 10 000 psig / 414 og 690 bar
- Cv-verdi fra 0,28 til 20,0
- Rettløps- eller vinkelutførelse
- Portstørrelser fra 1/4" til 1-1/2"
- Lavt drifts- og stengemoment ved høye trykk
- Toveis bruk for væske eller gass
- Mykt sete sikrer lufttett avstengning

Example for selecting a part number:

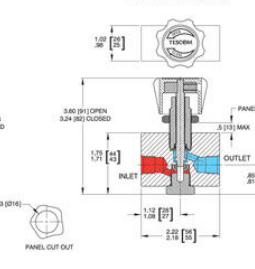
30-11	0	1	2	04
BASIC SERIES	VALVE STEM TYPE	PATTERN TYPE	INLET AND OUTLET PORT TYPE	INLET AND OUTLET PORT SIZE
30-11 - 30-1300 10 000 psig 690 bar	0 - Shut-off (Standard) 1 - Metering (optional on 30-1300 only)	0 - Angle ¹ 1 - Globe	0 - BSP ² 1 - SAJ ² 2 - NPT ³ 3 - MS33699 6 - Medium Pressure ⁴	04 - 1/4" (30-1100) 06 - 3/8" (30-1100, 30-1300) 08 - 1/2" (30-1300) 12 - 3/4" (30-1300) 18 - 1" (30-1300) 24 - 1 1/2" (30-1400)
30-12 - 30-1300 10 000 psig 690 bar				
30-13 - 30-1300 10 000 psig 690 bar				
30-14 - 30-1400 10 000 psig 690 bar				

SERIES	PATTERN	C _v	WEIGHT	CONTROL TORQUE
30-1101-XXXX	Globe	0.28	1.8 lb / 0.8 kg	15 in-lb / 1.7 Nm
30-1101-XXXX	Angle	0.49	3.0 lb / 1.3 kg	15 in-lb / 1.7 Nm
30-1301-XXXX	Globe	1.57	3.1 lb / 1.4 kg	25 in-lb / 2.8 Nm
30-1301-XXXX	Angle	2.30	2.1 lb / 0.9 kg	25 in-lb / 2.8 Nm
30-1201-XXXX	Globe	6.00	8.6 lb / 3.9 kg	25 in-lb / 2.8 Nm
30-1201-XXXX	Angle	10.00	7.1 lb / 3.2 kg	25 in-lb / 2.8 Nm
30-1401-XXXX	Globe	20.00	30 lb / 14 kg	35 in-lb / 4.0 Nm

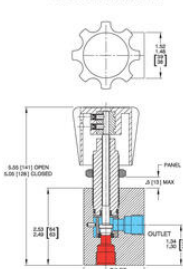
30-1100 ANGLE PATTERN



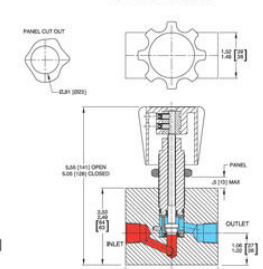
30-1101 GLOBE PATTERN



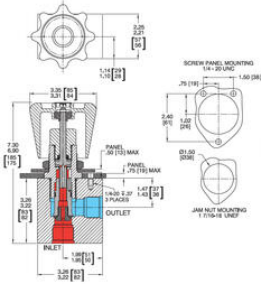
30-1300 ANGLE PATTERN



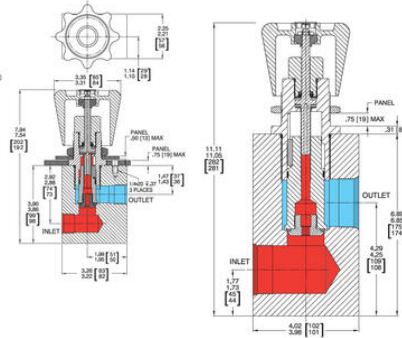
30-1301 GLOBE PATTERN



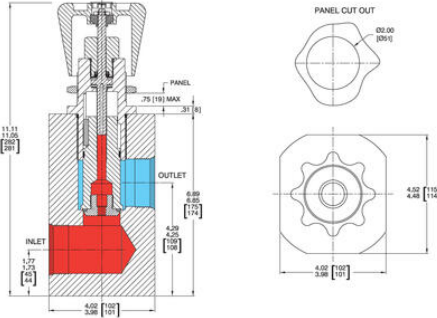
30-1200 ANGLE PATTERN



30-1201 GLOBE PATTERN



30-1400 GLOBE PATTERN

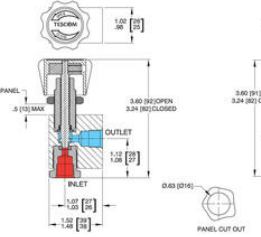


Example for selecting a part number:

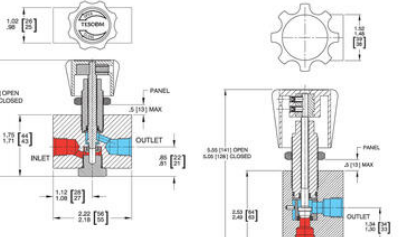
30-11	0	1	2	04
BASIC SERIES	VALVE STEM TYPE	PATTERN TYPE	INLET AND OUTLET PORT TYPE	INLET AND OUTLET PORT SIZE
30-11 - 30-1100 10,000 (psi) 690 bar	0 - Stem off (Standard) 1 - Stem on (optional on 30-1100 only)	0 - Angle ¹ 1 - Globe	0 - 90° ² 1 - 45° ² 2 - 45°/90° ² 3 - MS31849 6 - Modbus/Pressure ³	04 - 1" (25.4mm) 06 - 1 1/2" (38.1mm), 30-1300 08 - 1 1/2" (38.1mm) 12 - 1 1/2" (38.1mm) 16 - 1" (25.4mm) 24 - 1 1/2" (38.1mm)
30-12 - 30-1200 10,000 (psi) 690 bar			1. Available on 30-1100 only 2. Not available on 30-1400 3. Available in Globe Pattern only	
30-13 - 30-1300 10,000 (psi) 690 bar				
30-14 - 30-1400 6,000 (psi) 414 bar				

SERIES	PATTERN	C _v	WEIGHT	CONTROL TORQUE
30-11X-XXX	Globe	0.28	1.8 lb (0.8 kg)	15 in-lb (1.7 Nm)
30-1100-XXX	Angle	0.65	3.6 lbs (1.6 kg)	15 in-lb (1.7 Nm)
30-1301-XXX	Globe	1.57	3.1 lbs (1.4 kg)	25 in-lb (2.8 Nm)
30-1300-XXX	Angle	2.38	2.1 lbs (1 kg)	25 in-lb (2.8 Nm)
30-1201-XXX	Globe	8.00	8 lbs (3.6 kg)	35 in-lb (3.9 Nm)
30-1200-XXX	Angle	10.00	7.1 lbs (3.2 kg)	35 in-lb (3.9 Nm)
30-1400-XXX	Globe	20.00	30 lbs (13.6 kg)	35 in-lb (3.9 Nm)

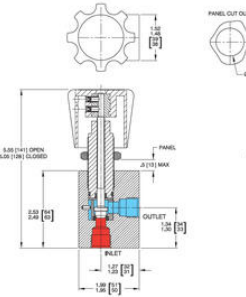
30-1100 ANGLE PATTERN



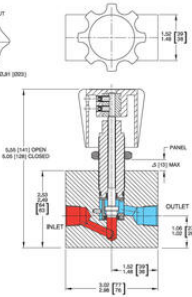
30-1101 GLOBE PATTERN



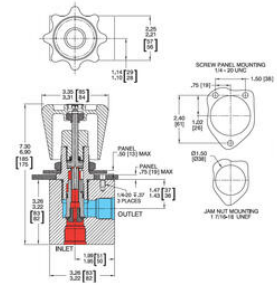
30-1300 ANGLE PATTERN



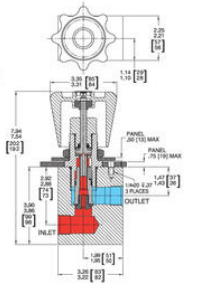
30-1301 GLOBE PATTERN



30-1200 ANGLE PATTERN



30-1201 GLOBE PATTERN



30-1400 GLOBE PATTERN

