

RQW1

Rørkobling - Rettvinklet 90°

5020.051.210

Rørkobling(vinkel/90°) RQW1-M M10x1,0 Svart



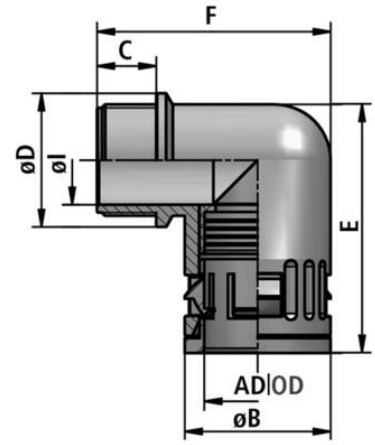
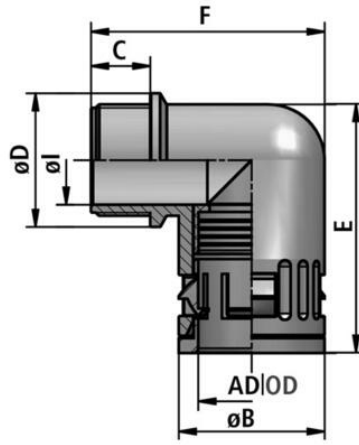
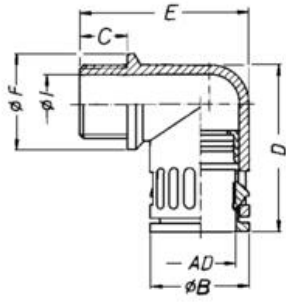
- Silicon/Cadium/Halogen fri
- Syre/Løsemiddel resistent
- Olje/Benzin resistent
- IP 66
- Quick connection



PRODUKTBESKRIVELSE

TEKNISKE DATA

Farge	Svart
Forpakkingsstørrelse	50 pc
Gjenger	M10x1,0
Godkjenninger	CSA 22.2, cRUus, Lloyd's, UL, VDE
IP-klasse	IP66
Materiale	Polyamid
Rørdimensjon AD	10
Temperaturområde fra	-40 °C
Temperaturområde til	120 °C
Weight kg / 100 ± 10%	0,4



	AD	ØI	ØB	C	D	E	ØF
M10x10	10,0	7,0	17,0	12	33,5	34,0	16,0
M16x1,5	13,0	12,0	20,0	12	36,0	36,5	20,0
M20x1,5	15,8	15,5	23,0	13	42,0	41,5	24,0
M25x1,5	21,2	18,0	29,5	13	50,0	49,0	29,5
M32x1,5	28,5	24,0	37,0	15	57,0	59,0	37,0
M40x1,5	34,5	32,0	44,0	15	67,5	67,0	45,0
M50x1,5	42,5	39,0	52,0	16	83,0	75,5	55,0
M63x1,5	54,5	53,0	64,0	16	88,0	86,5	68,0