



MULTISIRENE MED LED LAMPE CS1

C111621005

CS1 LED+multitone buzzer amber 24VDC

- LED-teknologi for lang levetid
- 32 valgbare toner
- Høy lyd 86-106 dB
- IP65



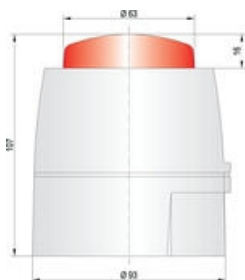
PRODUKTBESKRIVELSE

CS1 er en rimelig kombimodul med blinkende LED. Tonevalg og lydnivå settes enkelt med dip-switcher. IP65 for både inne og utebruk. Med hele 32 ulike toner kan man signalisere for det meste, for eks. brannalarm.

TEKNISKE DATA

Kapslingsfarge	Rød, vit
Antall toner	32
Lystype	Blinkende LED, 1 Hz
Spenningsområde	18-35 V DC
Temperaturområde	-20 °C til + 70 °C
Kapslingsklasse	IP65
Lydstyrke	86-106 dB
Fargealternativer LED	Orange, rød, klar, blå
Vekt	258 g
Godkjennelse	CE

MÅL

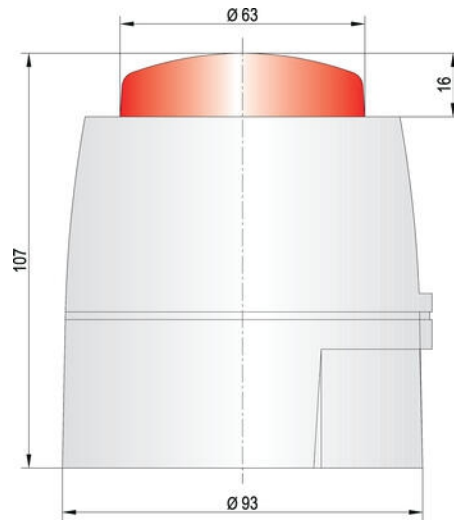


BESTILLINGSNUMMER

Bestillingsnr	Type	Beskrivelse	Spenning	Nom. strøm
C111622005	CS1	Rød kapsling, rød LED	24 V DC	14-41mA
C111222005	CS1	Hvit kapsling, rød LED	24 V DC	14-41mA

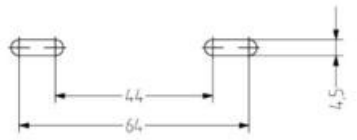
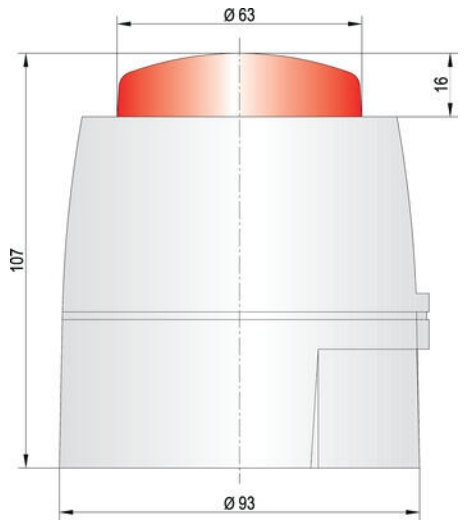
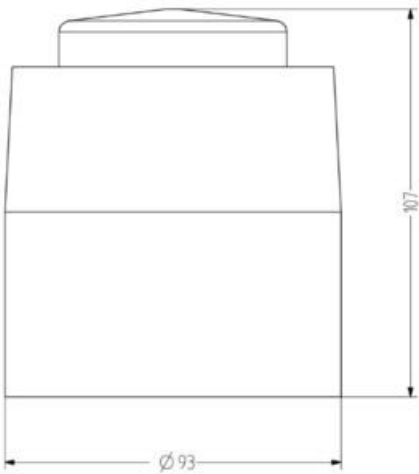
TEKNISKE DATA

Antall toner	32 pc
Blitsfrekvens	1 Hz
Farge hus	Rød
Farge linse	Oransje
IP-klasse	IP65
Lydnivå maks.	109 dB
Lydnivå min.	88 dB
Lydregulering	Ja
Lyskilde	LED
Lystype	Oransje LED
Matespenning	24 V
Matespenning AC/DC maks.	35 V
Matespenning AC/DC min.	18 V
Montering	Horisontal, Vertikal
Nominell strøm maks.	0,041 A
Nominell strøm min.	0,014 A
Temperaturområde fra	-20 °C
Temperaturområde til	70 °C
Tonfrekvens maks.	2900 Hz
Tonfrekvens min.	440 Hz
Vekt	258 g



Tontabelle / Tone table

Nr.	Sound	Tone frequency	DP switch	2nd stage alarm (Hz)
1	IE Sweep	800-1000Hz @ 0.5 sec	11111	800 count
2	Alarm tone (IE standard)	800/900Hz @ 2Hz	11110	800 count
3	Waste tone (IE standard)	800/900Hz @ 0.5 sec	11101	800 count
4	Alarm tone (IE standard)	800/900Hz @ 2Hz	11100	800 count
5	IE Back up (intermittent tone)	800Hz @ 1.0 sec on/off	11011	200 count
6	IE Back up (alarm)	800Hz @ 1.0 sec on/off	11010	800 count
7	IE Back up (intermittent tone - test)	800Hz @ 1.0 sec on/off	11001	800 count
8	IE Continuous tone (S599)	800Hz cont	11000	Same tone
9	Sweep tone (1Hz)	800/900Hz @ 1Hz	10111	800 count
10	Australian slow whoop	Intermittent 970Hz 0.625ms on/0.625ms off	10110	500-2000 3.75 sec on 0.25 sec off
11	Dutch sweep tone	970Hz cont	10101	3.5 sec on 0.5 sec off
12	Arabic sweep tone	800/900Hz @ 2Hz	10100	800 count
13	Swedish tone (S1)	800/900Hz @ 3Hz	10011	800 count
14	Arabic IE slow sweep	800/900Hz @ 3Hz	10010	240 count
15	Fast IE sweep	800/900Hz @ 7Hz	10001	240 count
16	US Temporal Pattern LF	800Hz for 0.5 sec on/0.5 sec off x3 then 1.5 sec then repeat	10000	800 count
17	Intermittent tone (IE standard)	Intermittent tone 800Hz @ 0.5 sec on/off	01111	800 count
18	ISO 8001 IE (S5539 2x1 1#)	Intermittent 970Hz 500ms on/500ms off	01110	Same tone
19	Intermittent tone (medium)	800Hz @ 0.25 sec on/off	01101	800 count
20	IE Back up	Intermittent 800Hz 100 ms on/800 ms off	01100	Same tone
21	Continuous tone	800Hz continuous	01011	Same tone
22	IE Alarm	800/900Hz sweep @ 110Hz	01010	800 count
23	IE Continuous	800Hz	01001	800 count
24	Sweep tone (S1)	800/900Hz @ 2Hz	01000	800 count
25	Swedish (S1) tone	800/900Hz @ 3Hz	00111	800 count
26	Swedish (S1) alarm	Intermittent 800Hz 150 ms on / 150 ms off	00110	Same tone
27	French tone (F#)	800Hz for 300 ms and 440Hz for 500ms	00101	800 count
28	Swedish (S1) alarm	Intermittent 800Hz 150 ms on / 150 ms off	00100	Same tone
29	US Temporal Pattern HF	800Hz for 0.5 sec on/0.5 sec off x3 then 1.5 sec then repeat	00011	2000 count
30	Swedish (S1) alarm (short)	Intermittent 800Hz 150 ms on / 150 ms off	00010	800 count
31	FP 1503.1 - Alarm	Intermittent tone 800/970 Hz @ 2Hz	00001	800 count
32	Swedish (S1) alarm (long)	Intermittent 800/970Hz 3 sec rising / 3 sec falling	00000	800 count



Tontabelle / Tone table

Nr.	Sound	Tone frequency	DP switch	2nd stage alarm (Hz)
1	IE Sweep	800-1000Hz @ 0.5 sec	11111	800 count
2	Alarm tone (IE standard)	800/900Hz @ 2Hz	11110	800 count
3	Waste tone (IE standard)	800/900Hz @ 0.5 sec	11101	800 count
4	Alarm tone (IE standard)	800/900Hz @ 2Hz	11100	800 count
5	IE Back up (intermittent tone)	800Hz @ 1.0 sec on/off	11011	200 count
6	IE Back up (alarm)	800Hz @ 1.0 sec on/off	11010	800 count
7	IE Back up (intermittent tone - test)	800Hz @ 1.0 sec on/off	11001	800 count
8	IE Continuous tone (S599)	800Hz cont	11000	Same tone
9	Sweep tone (1Hz)	800/900Hz @ 1Hz	10111	800 count
10	Australian slow whoop	Intermittent 970Hz 0.625ms on/0.625ms off	10110	500-2000 3.75 sec on 0.25 sec off
11	Dutch sweep tone	970Hz cont	10101	3.5 sec on 0.5 sec off
12	Arabic sweep tone	800/900Hz @ 2Hz	10100	800 count
13	Swedish tone (S1)	800/900Hz @ 3Hz	10011	800 count
14	Arabic IE slow sweep	800/900Hz @ 3Hz	10010	240 count
15	Fast IE sweep	800/900Hz @ 7Hz	10001	240 count
16	US Temporal Pattern LF	800Hz for 0.5 sec on/0.5 sec off x3 then 1.5 sec then repeat	10000	800 count
17	Intermittent tone (IE standard)	Intermittent tone 800Hz @ 0.5 sec on/off	01111	800 count
18	ISO 8001 IE (S5539 2x1 1#)	Intermittent 970Hz 500ms on/500ms off	01110	Same tone
19	Intermittent tone (medium)	800Hz @ 0.25 sec on/off	01101	800 count
20	IE Back up	Intermittent 800Hz 100 ms on/800 ms off	01100	Same tone
21	Continuous tone	800Hz continuous	01011	Same tone
22	IE Alarm	800/900Hz sweep @ 110Hz	01010	800 count
23	IE Continuous	800Hz	01001	800 count
24	Sweep tone (S1)	800/900Hz @ 2Hz	01000	800 count
25	Swedish (S1) tone	800/900Hz @ 3Hz	00111	800 count
26	Swedish (S1) alarm	Intermittent 800Hz 150 ms on / 150 ms off	00110	Same tone
27	French tone (F#)	800Hz for 300 ms and 440Hz for 500ms	00101	800 count
28	Swedish (S1) alarm	Intermittent 800Hz 150 ms on / 150 ms off	00100	Same tone
29	US Temporal Pattern HF	800Hz for 0.5 sec on/0.5 sec off x3 then 1.5 sec then repeat	00011	2000 count
30	Swedish (S1) alarm (short)	Intermittent 800Hz 150 ms on / 150 ms off	00010	800 count
31	FP 1503.1 - Alarm	Intermittent tone 800/970 Hz @ 2Hz	00001	800 count
32	Swedish (S1) alarm (long)	Intermittent 800/970Hz 3 sec rising / 3 sec falling	00000	800 count

