

**SIRENE SERIE K**

710100005

KLH Horn 92dB 24V DC (EL6202903)

- Membransirene
- 92 dB
- IP43



## PRODUKTBESKRIVELSE

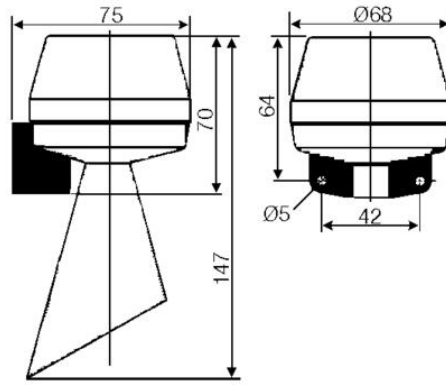
**TEKNISKE DATA**

Antall toner	1 pc
Farge hus	Grå RAL 7035
IP-klasse	IP43, NEMA Type 2
Koblingsklemme	2,5 mm <sup>2</sup>
Lydnivå maks.	92 dB
Lydnivå min.	92 dB
Matespenning	24 V
Matespenning DC maks.	26,4 V DC
Matespenning DC min.	21,6 V DC
Montering	Vertikal
Nominell strøm maks.	0,026 A
Nominell strøm min.	0,026 A
Temperaturområde fra	-25 °C
Temperaturområde til	50 °C
Tonfrekvens maks.	50 Hz
Tonfrekvens min.	50 Hz

The sound pressure decreases by 6 dB when doubling the distance: the following distance table is to be seen as indication, as also factors like tone type, wind speed, wind direction, humidity, weather conditions etc. do influence the sound pressure level.

Distance (m)	65	70	75	80	85	90	92	94	96	98	100	102	104	106	108	110	112	114	116	118	120
1	59	64	69	74	79	84	88	88	90	92	94	96	98	100	102	104	106	108	110	112	114
2	55	60	65	70	75	80	82	84	86	88	90	92	94	96	98	100	102	104	106	108	110
3	51	56	61	66	71	76	78	80	82	84	86	88	90	92	94	96	98	100	102	104	106
5	45	50	55	60	65	70	72	74	76	78	80	82	84	86	88	90	92	94	96	98	100
10	39	44	49	54	59	64	66	68	70	72	74	76	78	80	82	84	86	88	90	92	94
20	35	40	45	50	55	60	62	64	66	68	70	72	74	76	78	80	82	84	86	88	90
30	36	41	46	51	56	60	62	64	66	68	70	72	74	76	78	80	82	84	86	88	90
50	39	44	49	54	59	64	66	68	70	72	74	76	78	80	82	84	86	88	90	92	94
100	36	41	46	51	56	60	62	64	66	68	70	72	74	76	78	80	82	84	86	88	90
200	33	38	43	48	53	58	60	62	64	66	68	70	72	74	76	78	80	82	84	86	88
500	30	35	40	45	50	55	58	60	62	64	66	68	70	72	74	76	78	80	82	84	86

The sound pressure decreases by 6 dB when doubling the distance



The sound pressure decreases by 6 dB when doubling the distance: the following distance table is to be seen as indication, as also factors like tone type, wind speed, wind direction, humidity, weather conditions etc. do influence the sound pressure level.

Distance (m)	65	70	75	80	85	90	92	94	96	98	100	102	104	106	108	110	112	114	116	118	120
1	59	64	69	74	79	84	88	88	90	92	94	96	98	100	102	104	106	108	110	112	114
2	55	60	65	70	75	80	82	84	86	88	90	92	94	96	98	100	102	104	106	108	110
3	51	56	61	66	71	76	78	80	82	84	86	88	90	92	94	96	98	100	102	104	106
5	45	50	55	60	65	70	72	74	76	78	80	82	84	86	88	90	92	94	96	98	100
10	39	44	49	54	59	64	66	68	70	72	74	76	78	80	82	84	86	88	90	92	94
20	35	40	45	50	55	60	62	64	66	68	70	72	74	76	78	80	82	84	86	88	90
30	36	41	46	51	56	60	62	64	66	68	70	72	74	76	78	80	82	84	86	88	90
50	39	44	49	54	59	64	66	68	70	72	74	76	78	80	82	84	86	88	90	92	94
100	36	41	46	51	56	60	62	64	66	68	70	72	74	76	78	80	82	84	86	88	90
200	33	38	43	48	53	58	60	62	64	66	68	70	72	74	76	78	80	82	84	86	88
500	30	35	40	45	50	55	58	60	62	64	66	68	70	72	74	76	78	80	82	84	86

The sound pressure decreases by 6 dB when doubling the distance

